

UHI-OG(S)-0 Indoor Camera Housing



- ▶ Protects camera/lens combinations up to 317 mm (12.48 in) length
- ▶ Hinged side opening for easy installation and camera setup
- ▶ Strong aluminum construction
- ▶ Cable routing through base or rear of housing
- ▶ Tamper-resistant
- ▶ Self cleaning glass

The Indoor Camera Housing is a smartly styled unit, intended for use inside. This housing is both cost-competitive and installer-friendly.

Functions

Easy installation

The unique, hinged, side-opening design provides easy installation of all camera/lens combinations, and allows access to most camera and lens controls when the housing is mounted. Route power, video, and lens control cabling through the liquid-tight fittings in the bottom rear of the housing, or for even better cable management, via the feed-through entry holes in the base. Mounting holes in the base permit installation to a wide range of pan/tilts, adjustable heads, and various camera-mounting brackets.

Dinion ready

This housing supports installation of Dinion style cameras with fixed focal, varifocal, or up to a 15x motorized zoom lens.

Secure

For increased security, the units come with tamper-resistant screws for the locking clasps to prevent illegitimate access to the housing contents. The housing is an optimal solution for protecting your indoor video surveillance applications.

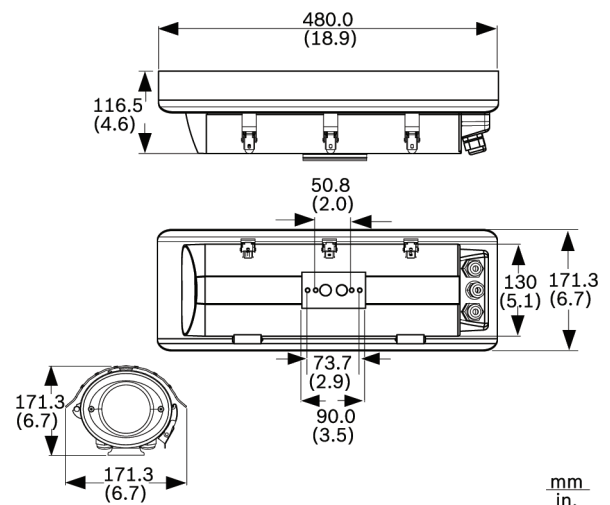
Certifications and approvals

Safety	acc. to EN 60950-1 (CE)
	acc. to UL 2044-1; CAN/CSA C 22.2 no. 1-98

Immunity	acc. to EN 50130-4 (CE)
Emission	acc. to EN 55022 class B (CE)
	acc. to EN 61000-3-2 (CE); EN 61000-3-3 (CE)
	acc. to FCC CFR 47 Part 15, Class B

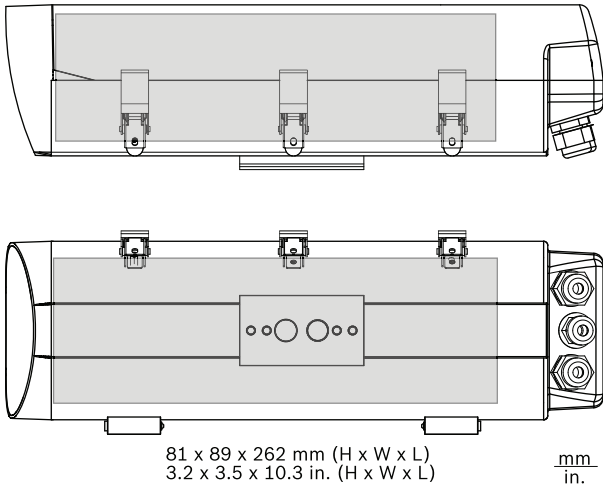
Region	Regulatory compliance/quality marks	
Europe	CE	UHI-OGx

Installation/configuration notes



mm
in.

Dimensions in mm for UHI-OG(S)-0 housings indoor units



Dimensions in mm maximum internal usable space available (based on camera/lens size)

Notice

Allowance is provided for wiring and connector space requirements

Technical specifications

Electrical/Mechanical

Rear fitting	1 x, cable diameter 4.0 to 7.0 mm (0.16 to 0.28 in)
Rear fittings	2 x, cable diameter 6.5 to 10.5 mm (0.26 to 0.42 in)
Bottom feeds	2 x, cable diameter 4.0 to 7.0 mm (0.16 to 0.28 in)
Window	3 mm (0.12 in) glass
Locking clasps	Tamper-resistant screws provided
Camera power ratings	24/120/230 VAC, 50/60 Hz, 6.3 A
Camera mounting	Removable camera/lens tray, mounted with two screws
Max camera + lens size (H x W x L)	81 x 89 x 317 mm (3.19 x 3.50 x 12.48 in)
Construction	Aluminum casing, neoprene gaskets, all stainless steel hardware

Represented by:

Europe, Middle East, Africa:
Bosch Security Systems B.V.
P.O. Box 80002
5600 JB Eindhoven, The Netherlands
Phone: + 31 40 2577 284
emea.securitysystems@bosch.com
emea.boschsecurity.com

Germany:
Bosch Sicherheitssysteme GmbH
Robert-Bosch-Ring 5
85630 Grasbrunn
Germany
www.boschsecurity.com

North America:
Bosch Security Systems, LLC
130 Perinton Parkway
Fairport, New York, 14450, USA
Phone: +1 800 289 0096
Fax: +1 585 223 9180
onlinehelp@us.bosch.com
www.boschsecurity.us

Asia-Pacific:
Robert Bosch (SEA) Pte Ltd, Security Systems
11 Bishan Street 21
Singapore 573943
Phone: +65 6571 2808
Fax: +65 6571 2699
apr.securitysystems@bosch.com
www.boschsecurity.asia

Dimensions	See drawings
Weight	2.3 kg (5.1 lb)
Mounting	2 x pair of tapped holes
thread	1/4-20
inner pair	50.8 mm (2.0 in) center spread
outer pair	73.7 mm (2.9 in) center spread
Color	Gray

Environmental

Operating temperature	-40 °C to +50 °C (-40 °F to +122 °F)
Enclosure protection	IP66, NEMA-4X

Ordering information

UHI-OG-0 Indoor camera housing

Indoor camera housing
Order number **UHI-OG-0 | F.01U.026.741**

UHI-OGS-0 Indoor housing with sunshield

Indoor camera housing with sunshield.
Order number **UHI-OGS-0 | F.01U.028.282**

Accessories

LTC 9215/00 Wall mount with cable feed through, 12"

Wall mount for camera housing, cable feed-through, 30 cm (12 in); for outdoor use.
Order number **LTC 9215/00 | 4.998.137.651**

LTC 9215/00S Wall mount for UHI/UHO

Wall mount for camera housing, cable feed-through, 18 cm (7 in); for indoor use.
Order number **LTC 9215/00S | F.01U.503.621**

LTC 9219/01 Feed through J mount

J-mount for camera housing, 40 cm (15 in); for indoor use.
Order number **LTC 9219/01 | F.01U.503.623**

HAC-TAMP01 Tamper switch kit for UHI/UHO Series

Tamper switch kit for HSG and UHI/UHO series enclosures
Order number **HAC-TAMP01 | F.01U.005.044**