
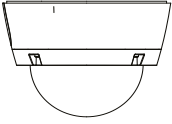

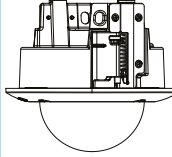
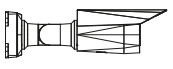
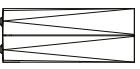
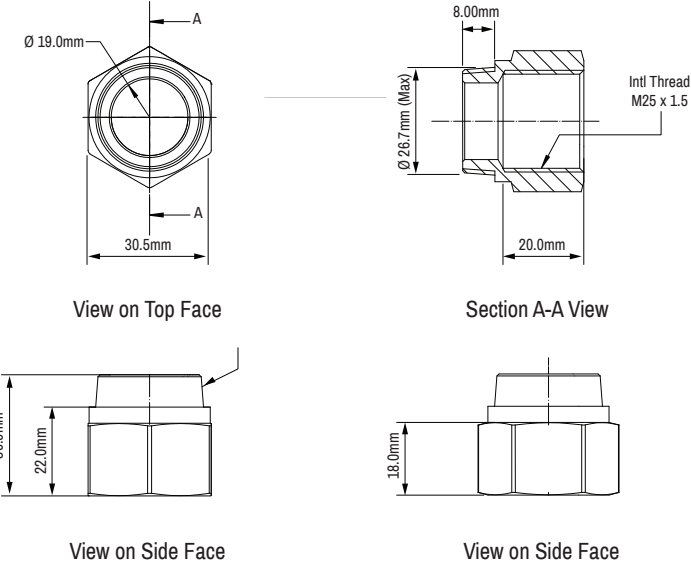
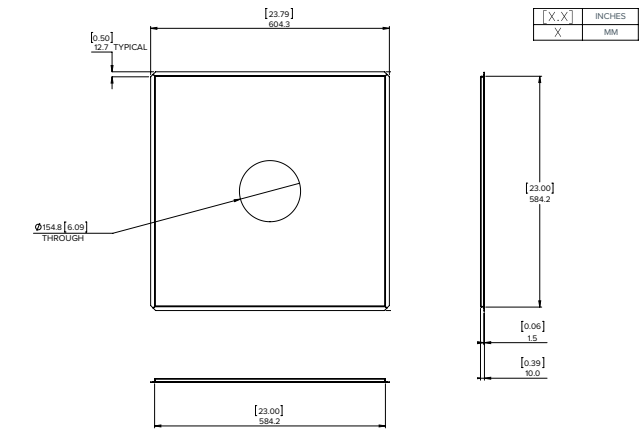
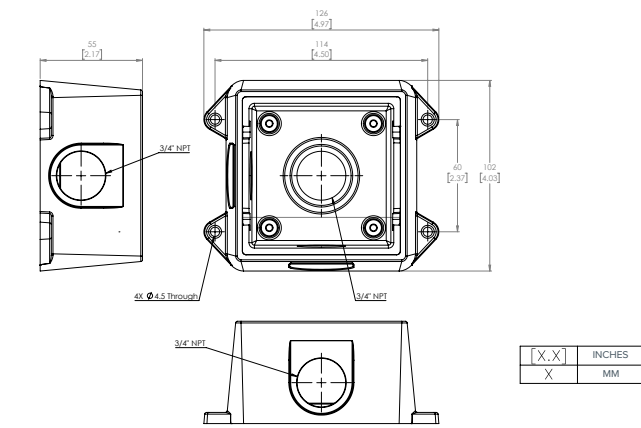
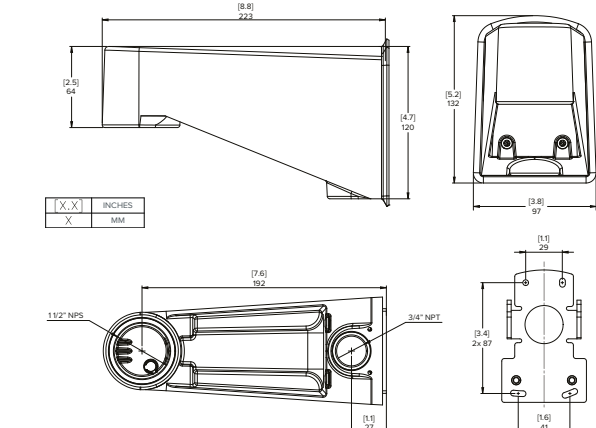


	Pendant Mount Outdoor Dome	Surface Mount Outdoor Dome	Surface Mount Indoor Dome	In-Ceiling Mount	Bullet	Box
						
Mount/Accessory						
Wall Mount	150502	-	-	-	-	-
1.5" NPT Adaptor	150503	-	-	-	-	-
Pole Mount Adaptor	150506 (requires 150502)	-	-	-	150506	-
Corner Mount Adaptor	150507 (requires 150502)	-	-	-	150507	-
Junction Box	-	-	-	-	150300	-
Metal Ceiling Panel	-	-	-	150259	-	-
Sidewall Knockout Plug	-	-	150551	-	-	-
Clear Bubble	150407	150405	150409	150411	-	-
Tinted Bubble	150406	150404	150408	150410	-	-
3.5mm Fly Wire	150150	150150	150150	150150	-	150150
Sealing grommet	-	150554	-	150554	-	-
Pipe grommet	150553	150553	-	-	-	-
Power supply	110068, 150100	110068, 150100	110068, 150100	110068, 150100	110068, 150100	110068, 150100
NPT to M25 Adaptor	110019	-	-	-	-	-

Mount Name	Camera Range	Dimensional Drawing	Product Codes
NPT to M25 Adaptor	UX Range	 <p>View on Top Face</p> <p>Section A-A View</p> <p>View on Side Face</p> <p>View on Side Face</p>	110019
Metal Ceiling Panel	UX Range	 <p>[X.X] INCHES X MM</p>	150259
Junction Box	UX Range	 <p>[X.X] INCHES X MM</p>	150300
Pendant Wall Mount	UX Range	 <p>[X.X] INCHES X MM</p>	150502

Mount Name	Camera Range	Dimensional Drawing	Product Codes
Pendant NPT Mount	UX Range		150503
Pole Mount Adaptor	UX Range		150506
Corner Mount Adaptor	BX Range		150507

Power Supplies

Product Code	Input Voltage	Input Connector	Output Voltage	Output Current (Max)	Output Connector	Operating Temperature Range	Dimensions (D x W x H)
110068	100-240VAC	IEC320-C14	12V DC	2.5A	Bare Wires	-30°C to 60°C	115mm x 50mm x 35mm
150100	100-240VAC	IEC320-C14	55V DC	0.55A	RJ45 Female Connector	-20°C to 40°C @30W -20°C to 55°C @22.5W	166mm x 52mm x 35mm