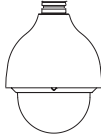


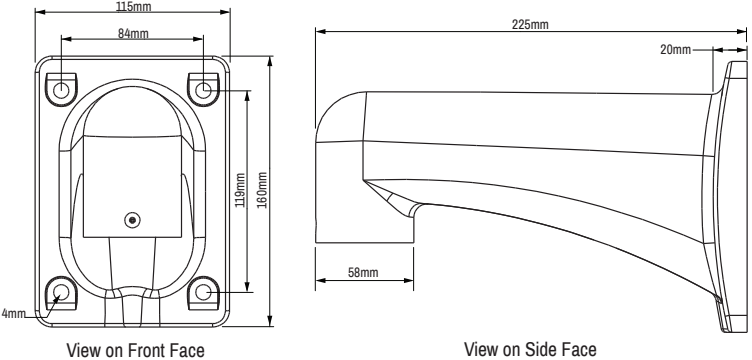
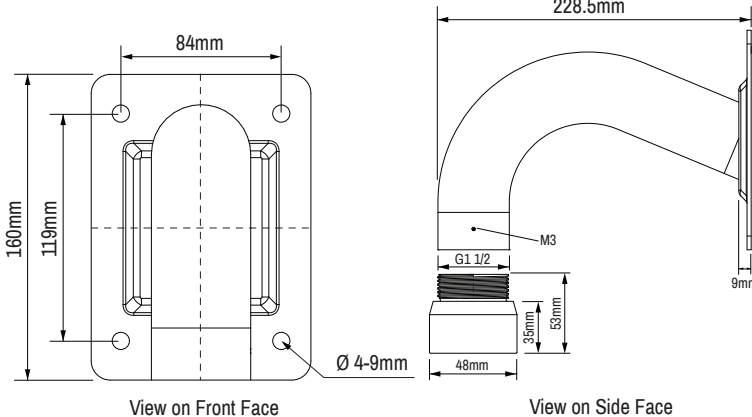
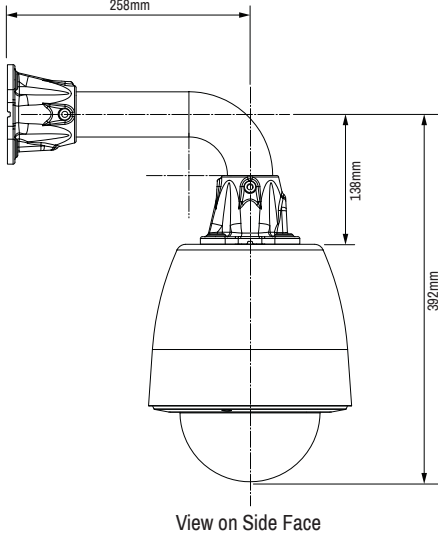
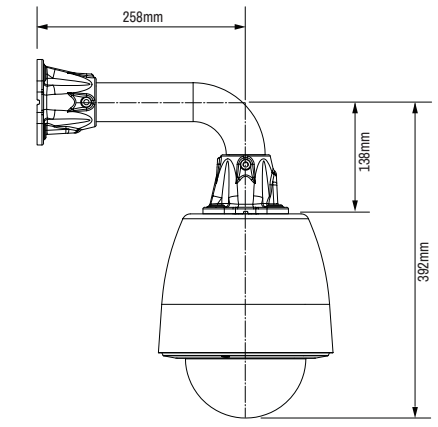


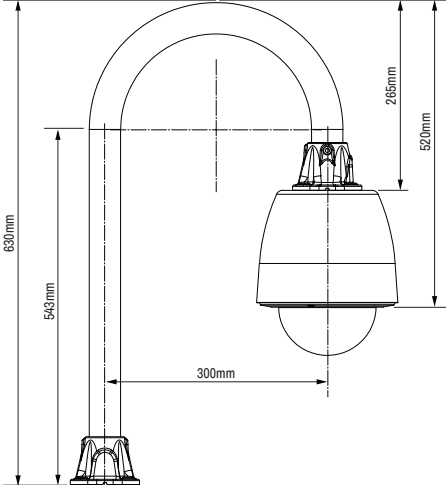
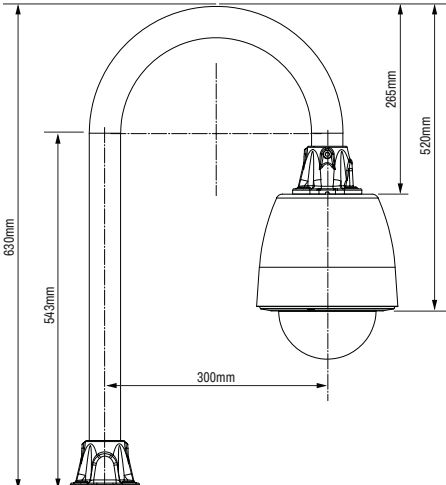
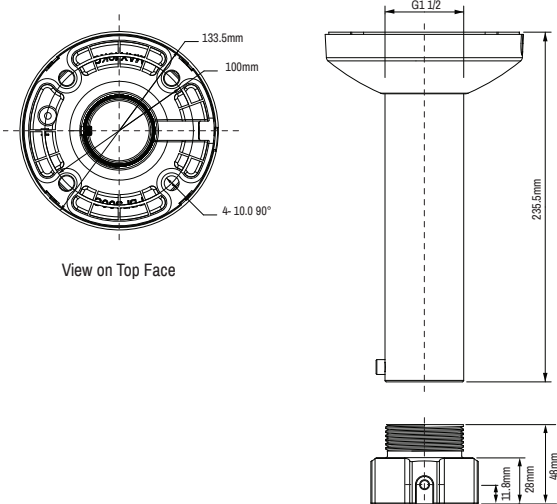
IndigoVision

PTZ Camera Mount & Accessory Matrix

Mount/Accessory	BX Range, BX520 HD Adaptive IR PTZ Dome	BX Range, BX520 HD/4MP PTZ Dome		Ultra Range, U2510 HD PTZ Dome	Ultra Range, UX3520 HD PTZ Dome		Ultra Range, UX3525 HD IR PTZ Dome
							
	Standard	In-Ceiling	Pendant	Pendant	In-Ceiling	Pendant	Standard
Wall Mount	130181	-	130173	130181	-	110084; 110184	110084; 110184
Pendant Swan-Neck Mount	-	-	-	-	-	110085; 110185	110085; 110185
Vertical Pole Mount	130182	-	130174	130182	-	110086; 110186	110086; 110186
1.5" NPT Adaptor (Male)	130175	-	130185	130175	-	110087	110087
1.5" NPT Adaptor (Female)	-	-	-	-	-	110088	110088
Corner Mount	130184 (Requires 130181)	-	130184 (Requires 130173)	130184 (Requires 130181)	-	110082 (Requires 110084, 1100184 or 110085, 110185)	110082 (Requires 110084, 1100184 or 110085, 110185)
Pole Mount	130183 (Requires 130181)	-	130083 (Requires 130173)	130183 (Requires 130181)	-	110196 - Grey (Requires 110084, 1100184 or 110085, 110185)	110196 - Grey (Requires 110084, 1100184 or 110085, 110185)
Junction Box	130171 (Requires 130181)	-	130171 (Requires 130173)	130171 (Requires 130181)	-	-	-
Power Junction Box	130172 (Requires 130181)	-	130172 (Requires 130173)	130172 (Requires 130181)	-	-	-
Power Supply	130176	130176	130176	130176	110068; 110100; 130176	110100; 130176	110100; 130176
Clear Bubble	-	130161	130161	-	110178	-	-
Tinted Bubble	-	130163	130163	130164	110175	-	-
Cables	-	-	-	-	-	3m - 110173 9m - 110174	3m - 110173 9m - 110174

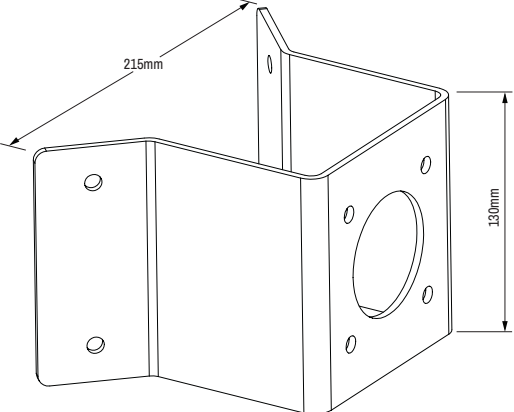
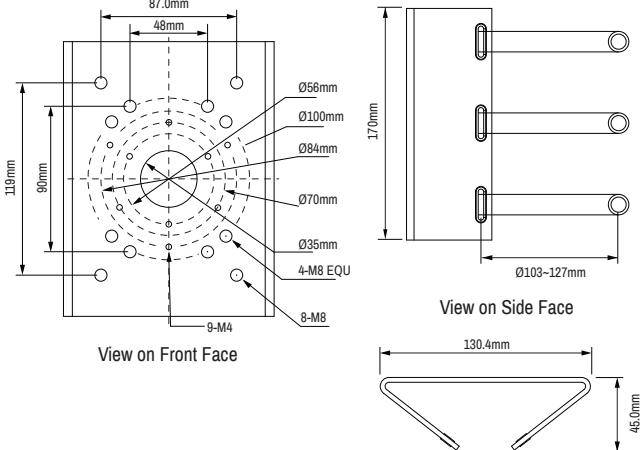
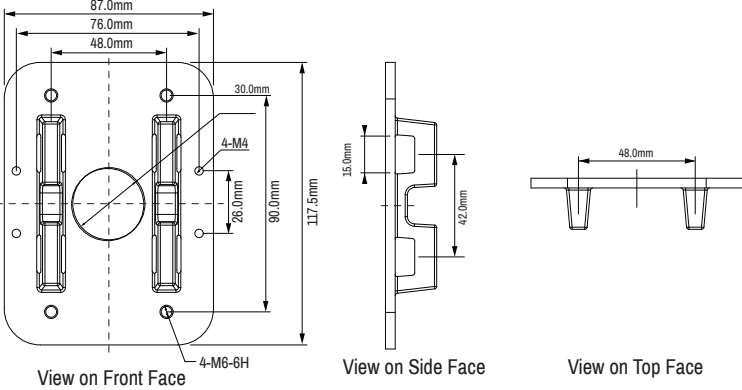
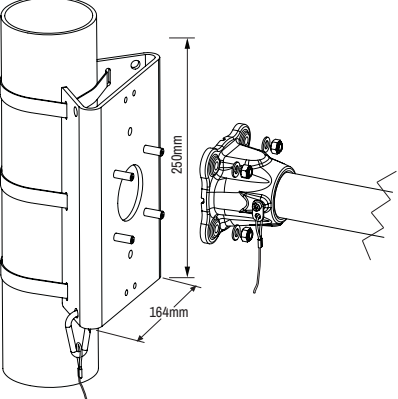
IndigoVision PTZ Camera Mount & Accessory Matrix Appendix - Page 2

Mount Name	Camera Range	Dimensional Drawing	Product Codes
Wall Mount	BX Range (BX520 Adaptive IR) Ultra Range (U2510)	 <p>View on Front Face</p> <p>View on Side Face</p>	130181
Wall Mount	BX Range (BX520 HD/4MP)	 <p>View on Front Face</p> <p>View on Side Face</p>	130173
Wall Mount	Ultra Range (UX3520 / UX3525)	 <p>View on Side Face</p>	110084
Wall Mount	Ultra Range (UX3520 / UX3525)	 <p>View on Side Face</p>	110184

Mount Name	Camera Range	Dimensional Drawing	Product Codes
Pendant Swan-Neck Mount	Ultra Range (UX3250 / UX3525)		110085
Pendant Swan-Neck Mount	Ultra Range (UX3250 / UX3525)		110185
Vertical Pole Mount	BX Range (BX520 Adaptive IR) Ultra Range (U2510)	 <p data-bbox="657 1554 774 1572">View on Top Face</p>	130182

Mount Name	Camera Range	Dimensional Drawing	Product Codes
Vertical Pole Mount	BX Range (BX520 HD/4MP)	<p>View on Top Face</p>	130174
Vertical Pole Mount	Ultra Range (UX3520/ UX3525)		110086
Vertical Pole Mount	Ultra Range (UX3520/ UX3525)		110186
1.5" NPT Adaptor (Male)	BX Range (BX520 Adaptive IR) Ultra Range (U2510)	<p>View on Top Face</p> <p>View on Side Face</p> <p>View on Side Face (Sectioned)</p>	130175

Mount Name	Camera Range	Dimensional Drawing	Product Codes
1.5" NPT Adaptor (Male)	BX Range (BX520 HD/4MP)	<p>View on Top Face</p> <p>View on Side Face</p>	130185
1.5" NPT Adaptor (Male)	Ultra Range (UX3520 / UX3525)	<p>View on Side Face</p>	110087
1.5" NPT Adaptor (Female)	Ultra Range (UX3520 / UX3525)	<p>View on Side Face</p>	110088
Corner Mount Adaptor	BX Range Ultra Range (U2510)	<p>View on Side Face</p> <p>View on Top Face</p> <p>View on Front Face</p>	130184

Mount Name	Camera Range	Dimensional Drawing	Product Codes
Corner Mount Adaptor	Ultra Range (UX3520/ UX3525)		110082
Pole Mount Adaptor	BX Range Ultra Range (U2510)		130183
Pole Mount Adaptor	Ultra Range (U2510)		130083
Pole Mount Adaptor	Ultra Range (UX3520 / UX3525)		110196

Mount Name	Camera Range	Dimensional Drawing	Product Codes
Junction Box	BX Range Ultra Range (U2510)	<p>View on Bottom Face</p> <p>View on Side Face</p>	130171
Power Junction Box	BX Range Ultra Range (U2510)	<p>View on Top Face</p> <p>View on Bottom Face</p> <p>View on Side Face</p>	130172

Power Supplies

Product Code	Input Voltage	Input Current (Max)	Input Connector	Output Voltage	Output Current (Max)	Output Connector	Operating Temperature Range	Dimensions (D x W x H)
110068	100-240VAC	0.8A	IEC320-C14	12V DC	2.5A	Bare Wires	-30°C to 60°C	115mm x 50mm x 35mm
110100	100-240 VAC	2.1A	IEC320-C14	30V DC	4.0A	Bare Wires	-40°C to 85°C	148mm x 59mm x 32.5mm
130176	100-240VAC	2.0A	IEC320-C14	56V DC	0.67A	RJ45 Female Connector	-20°C to 40°C	166mm x 80mm x 44mm

Bubbles

Camera Range	Product Code	Description
BX Range (BX520 HD/4MP)	130161	Clear Bubble
	130163	Tinted Bubble
Ultra Range (U2510)	130164	Tinted Bubble
Ultra Range (UX3520 In-Ceiling)	110178	Clear Bubble
	110175	Tinted Bubble

Cables

Camera Range	Product Code	Description
Ultra Range	110173	Cable assembly and gland (3m)
	110174	Cable assembly and gland (9m)