



IndigoVision

BX RANGE



# 8MP Panoramic Dome Camera

Amazing Megapixel video that delivers detail from every angle

Part of IndigoVision's professional BX Range, the Panoramic Dome Camera delivers 180° visibility with pin-sharp detail. Video is seamlessly stitched into a single image direct from the camera. When used as part of IndigoVision's end-to-end system, any single point of failure is removed through IndigoVision's Distributed Network Architecture (DNA) technology.

## Key Features

SENSOR

<b>8MP</b>	Day/Night	WDR
------------	-----------	-----

COMPRESSION

<b>H.264</b>	<b>UP TO 25fps</b>	G.711
--------------	--------------------	-------

INTELLIGENCE

Analytics	Motion Detection
-----------	------------------

OTHER

DNA	PoE+	ONVIF
-----	------	-------

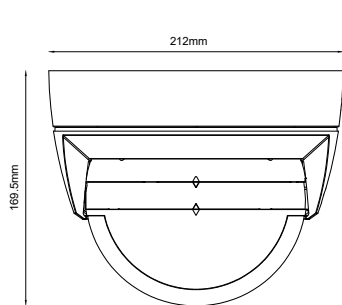
PHYSICAL

Outdoor	IR	IK10
---------	----	------

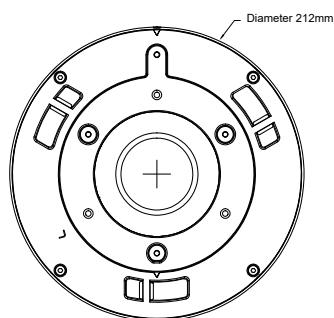
## Product Codes

Camera	
BX720 8MP 180° Panoramic Dome Camera with Built-In IR Illuminator	613740

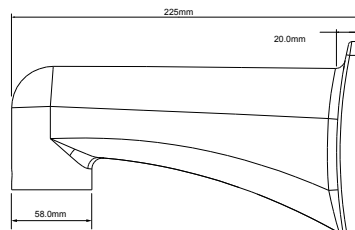
## Dimensions



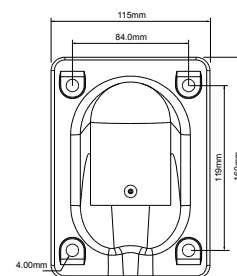
View on Side Face



View on Top Face



View on Side Face



View on Front Face

## Specification

Camera Features	
Sensor	Four 1/2.8" 2 Megapixel Progressive Scan CMOS
Active Pixels (HxV)	8 MP (4096 x 1800)
Minimum Sensitivity	Day: 0.05 lux (colour). Night: 0.005 lux (mono). 30 IRE, F2.0, 1/30s shutter
Lens Options	Four 3.0mm, Horizontal view angle 180°, Vertical view angle 80°, F2.0, Fixed Iris, board mount
Dynamic Range	WDR >100dB
Gain Control	Auto/Manual
Back Light Compensation	BLC / HLC / DWDR
White Balance Mode	Auto / Natural / Street Lamp / Outdoor / Manual
Day/Night	True Day/Night with Mechanical IR Cut Filter
IR Illuminator	Built-in IR Illuminator 850nm wavelength, effective distance >30m, 180°
Video Resolution	4096x1800; 3840x1680; 2880x1264; 1920x832; 1280x560; 1024x452
Video Compression	Full frame rate, full colour: H.264/MJPEG ; up to 25fps (ISO 14496-10)
Video Bit Rate	User-configurable bit rates from 500Kbps up to 10Mbps
Video Multi-Streaming	Up to 32Mbps total video output; Unlimited multicast connections. Up to four 8Mbps unicast connections
Video Multi-Encoder	Up to two simultaneous resolutions including: 4096x1800@25fps plus 1024x452@25fps (PAL Region) or 4096x1800@20fps plus 1024x452@30fps (NTSC Region)
Video Analytics	Tripwire, Intrusion, Object Abandoned/Missing
Privacy Zones	Off / On (4 Area, Rectangle)
Audio Compression	G.711
Audio Bit Rate	32Kbps per channel
Audio Resolution	Full Duplex, 8kHz or 16kHz sample rate. Mono Input, Mono Output
Audio Analytics	Audio Detection
Audio Input	Line in, RCA connector
Audio Output	Line out, RCA connector
Binary Input/Output	2 Pull up input for non powered contacts; 2 Solid state open collector output, Max 30.0V, 0.5A
Network Interface	IEEE802.3 and IETF standards: 100/1000 Base-T Ethernet, HTTP; HTTPS; TCP; ARP; RTSP; RTP; UDP; SMTP; FTP; DHCP; DNS; DDNS; PPPOE; IPv4/v6; QoS; UPnP; NTP; Bonjour; 802.1x; Multicast; ICMP; IGMP; SNMP
Network Security	HTTPS / IP Filter / IEEE 802.1x
Time	Embedded real-time clock, NTP client
SD Storage	microSDHC 128GB support (card not included)*
Dimension/Weight	212mm (dia) x 169.5mm (h) and 3.6Kg / 6.67" (dia) x 7.13" (h) and 7.93lbs
Regulatory	EN 55022 Class A, EN 61000-3-2, EN 61000-3-3, FCC Part 15 Subpart B Class A, EN 50130-4, EN61000-4-2, EN61000-4-3, EN61000-4-4, EN61000-4-5, EN61000-4-6, EN61000-4-11, IEC60068-2-27 (Shock), IEC60068-2-6 (Sine Vibration), UL60950-1
Housing	White vandal resistant aluminium alloy including 400mm cable bundle
Protection Rating	IP67, IK10 (IEC 62262)
Electrical	PoE+ (802.3af Class 4), or 24V AC @ 1.1A; 25.5W
Operating Temperature	-40°C to 60°C (-40°F to 140°F)
Cold Start	-20°C (-4°F)
Supplied Accessories	Wall Mount Bracket
IndigoVision Software Requirements	Control Center v14.0 or later
ONVIF	Profile S

\*SDCard Storage independent of IndigoVision's NVRs. Note: Specifications are correct at the datasheet date of issue and are subject to change without prior notice.