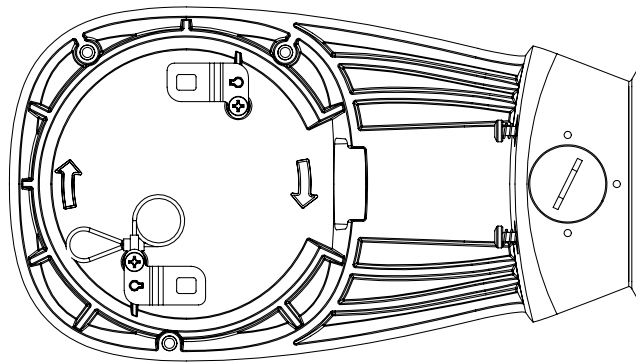
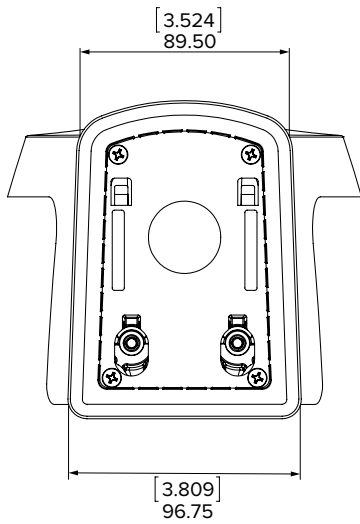
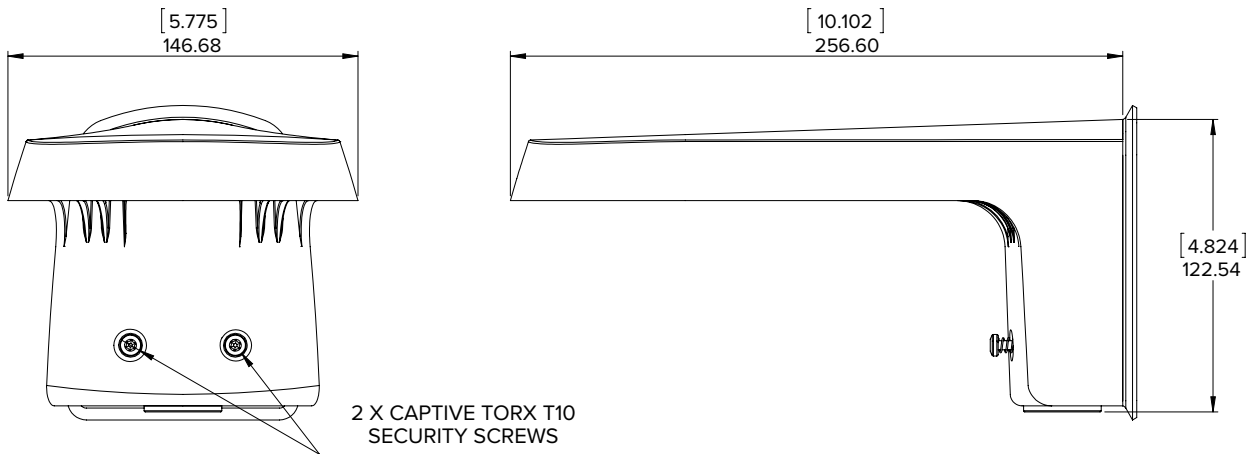


150502 - UX Pendant Wall Mount



[X.X]	INCHES
X	MM

UX-DP-WALL-MNT 150502

Pendant wall mount for pendant dome cameras (UX-DP)

Weight: 1.45 kg (3.20 lbs)

Finish: RAL 9003

- Female 3/4" NPT conduit entry
- Creates outdoor seal with pendant dome cameras that meets IP66 standards