



UX Camera Range

Capture every detail with ultra-high resolution

With best in class performance, the IndigoVision UX Camera range supports multiple resolutions and delivers enhanced video streams in all lighting conditions. You also get maximum reliability with IndigoVision's Distributed Network Architecture, which removes the requirement for a central server, ensuring you never lose access to live video and benefit from minimal latency. IndigoVision's SmartCodec technology gives highly optimised H.265 compression significantly reducing storage costs.

Key Features & Benefits



MOTION DETECTION

Operators get alerted immediately when motion is detected thanks to our built-in analytics.



ONVIF[®] COMPLIANT

Built on an open platform to allow integration with other security solutions, so you can expand your existing security system.



H.265 WITH SMARTCODEC TECHNOLOGY

Reduce costs by maximizing bandwidth utilization and storage consumption without compromising image quality.



EXPANDABLE STORAGE

Use our slot for either SD or MicroSD memory card and get video recordings even during network interruptions.



IP AND IK RATED

Trust the robustness and reliability of your system with IP66/7 weather rating and IK10 impact rating for vandal resistance.



5 YEAR WARRANTY

Gain peace of mind with products backed by a 5-year, industry-leading warranty.



LOW LIGHT TECHNOLOGY

Deliver safety and capture unexceptionably detailed footage even in low-light settings.



TRUE WIDE DYNAMIC RANGE

Capture details in scenes with both very bright and dark areas, so you can detect suspicious activity in all lighting conditions.



RELAY I/O CONNECTIONS FOR FAST RESPONSE

Configure input actions (such as alarms) that trigger an external relay to perform an action (e.g., turn lights on).



AUDIO CAPABILITIES

Available ports for external audio including sirens, microphones and/or loudspeakers for audio talk-down situations.



ADAPTIVE INFRARED (IR) LED ILLUMINATION

Automatically provides clear and evidential video even in pitch dark condition for a distance of up to 90 m (295 ft).



NDAA COMPLIANT

Approach US government with confidence, knowing our cameras comply with the National Defense Authorization Act.

Specifications

| Image Performance | 2.0 MP | 4.0 MP | 5.0 MP | 8.0 MP (4K ULTRA HD) |
|---|--|---|---|------------------------------|
| Sensor | 1/2.8" progressive scan CMOS | | | 1/1.8" progressive scan CMOS |
| Max Resolution (H x V) and Aspect Ratio | (16:9) 1920 x 1080 | (16:9) 2560 x 1440 (4:3) 2304 x 1728 | (4:3) 2592 x 1944 (16:9) 2560 x 1440 | (16:9) 3840 x 2160 |
| Dynamic Range (WDR Off) | 83 dB | 83 dB | 83 dB | 85 dB |
| Dynamic Range (WDR On) | 126 dB (dual exposure, 30 fps) 132 dB (triple exposure, 20 fps or less) | 126 dB | 126 dB | 120 dB |
| Max Image Rate | (50 Hz/60 Hz): 25 fps/30 fps | WDR off (50 Hz/60 Hz): 25 fps/30 fps WDR on (50 Hz/60 Hz): 20 fps/20 fps | | (50 Hz/60 Hz): 25 fps/30 fps |
| Bandwidth Management | SmartCodec technology | | | |
| 3D Noise Reduction Filter | Yes | | | |

| Lens and IR Illumination | | 3.3 – 9 mm | 4.9 – 8 mm | 9 – 22 mm | 4.7 – 84.6 mm |
|--|-------------------------------|---|---|---|---|
| IR Illumination Max Distance ¹ (high power 850 nm LEDs) | Dome | 35 m (115 ft), full tele 15 m (49 ft), full wide | 30 m (98 ft), full tele 15 m (49 ft), full wide | N/A | N/A |
| | Bullet | 50 m (164 ft), full tele 30 m (98 ft), full wide | 50 m (164 ft), full tele 30 m (98 ft), full wide | 90 m (295 ft), full tele 60 m (197 ft), full wide | N/A |
| Minimum Illumination | 2 MP | 0.027 lux in color mode, 0.014 lux in monochrome mode, 0 lux with IR | N/A | 0.052 lux in color mode, 0.026 lux in monochrome mode, 0 lux with IR | 0.039 lux in color mode, 0.02 lux in monochrome mode |
| | 4 MP | 0.03 lux in color mode, 0.015 lux in monochrome mode, 0 lux with IR | N/A | 0.058 lux in color mode, 0.029 lux in monochrome mode, 0 lux with IR | N/A |
| | 5 MP | N/A | N/A | 0.058 lux in color mode, 0.029 lux in monochrome mode, 0 lux with IR | N/A |
| | 8 MP | N/A | 0.055 lux in color mode, 0.028 lux in monochrome mode, 0 lux with IR | N/A | N/A |
| Horizontal Angle of View - Based on Aspect Ratio | 2 MP | (16:9) 34° – 99° | N/A | (16:9) 14° – 31° | (16:9) 4.1° – 60° |
| | 4 MP | (16:9)(4:3) 34° – 92° | N/A | (16:9)(4:3) 14° – 31° (4:3) 11° – 24° | N/A |
| | 5 MP | N/A | N/A | (16:9)(4:3) 14° – 31° | N/A |
| | 8 MP | N/A | (16:9) 52° – 92° | N/A | N/A |
| Vertical Angle of View - Based on Aspect Ratio | 2 MP | (16:9) 18° – 53° | N/A | (16:9) 7.8° – 16.7° | (16:9) 2.3° – 34° |
| | 4 MP | (16:9) 18° – 50° (4:3) 25° – 68° | N/A | (16:9) 8.2° – 17.4° | N/A |
| | 5 MP | N/A | N/A | (16:9) 8.1° – 17.4° (4:3) 11° – 23° | N/A |
| | 8 MP | N/A | (16:9) 29° – 51° | N/A | N/A |
| Max Aperture | F1.3 | F1.8 | F1.6 | F1.6 | |
| Control | P-Iris, Remote Focus and Zoom | | | | |

¹ IR illumination power may be reduced at higher operating temperatures.

| Image Control | |
|----------------------------|---|
| Image Compression Method | H.264 SmartCodec, H.265 SmartCodec, Motion JPEG |
| Streaming | Multi-stream H.264, Multi-stream H.265, Motion JPEG |
| Analytics | Object Not Present In Area, Object Loitering, Object Crosses Beam, Objects Enter Area, Objects Leave Area, Object Stops In Area, Direction Violated, Camera Tampering, Scene Change (Analytics Service) |
| Motion Detection | Pixel motion: Selectable sensitivity and threshold. Classified object detection |
| Tamper Detection | Yes |
| Electronic Shutter Control | Automatic, Manual (1/7 to 1/8196 sec) |
| Iris Control | Automatic, Open, Closed |
| Day/Night Control | Automatic, Manual |
| Flicker Control | 60 Hz, 50 Hz |
| White Balance | Automatic, Manual |
| Backlight Compensation | Adjustable |
| Privacy Zones | Up to 64 zones |

Specifications

| Auxiliary I/O | |
|--------------------------|-----------------------------|
| Audio Compression Method | G.711 PCM 8 kHz |
| Audio Input/Output | Line level input and output |
| External I/O Terminals | Alarm In, Alarm Out |
| RS-485 Terminal | Yes, Box camera only** |

** Currently not supported

| Network | |
|-----------------------------|---|
| Network | 100BASE-TX, RJ45 Connector, CAT5e Cabling |
| ONVIF | ONVIF compliance version 1.02, 2.00, Profile S, Profile G, Profile T (www.onvif.org) |
| Security | Password protection, HTTPS encryption, digest authentication, WS authentication, user access log, 802.1x port based authentication, CyberVigilant |
| Protocol | IPv6, IPv4, HTTP, HTTPS, SOAP, DNS, NTP, RTSP, RTP, TCP, UDP, IGMP, ICMP, DHCP, Zeroconf, ARP |
| Streaming Protocols | RTP/UDP, RTP/UDP multicast, RTP/RTSP/TCP, RTP/RTSP/HTTP/TCP, RTP/RTSP/HTTPS/TCP, HTTP |
| Device Management Protocols | SNMP v2c, SNMP v3 |
| Software Requirements | Control Center v17.2 or later |

| Peripherals | |
|----------------------------------|---|
| Onboard Storage (Dome) | microSD/microSDHC/microSDXC slot – class 10/UHS-1 or better recommended |
| Onboard Storage (Bullet and Box) | SD/SDHC/SDXC slot – class 10/UHS-1 or better recommended |

| Mechanical (Dome) | Indoor Surface Mount | Indoor In-Ceiling Mount | Outdoor Surface Mount |
|--------------------|--|---|---|
| Dimensions (LxWxH) | 163 mm x 163 mm x 118 mm; 6.4" x 6.4" x 4.7" | 181 mm x 181 mm x 164 mm; 7.1" x 7.1" x 6.5" | 163 mm x 163 mm x 121 mm; 6.4" x 6.4" x 4.8" |
| Weight | 0.99 kg (2.18 lbs) | 1.64 kg (3.62 lbs) | 1.39 kg (3.06 lbs) |
| Dome Bubble | Polycarbonate | | |
| Body | Plastic, Aluminum | | Aluminum |
| Housing | Surface mount, tamper resistant | Recessed mount, tamper resistant | Surface mount, vandal resistant |
| Finish | Plastic, gray | Plastic, gray; Aluminum, powder coat, black | Powder coat, RAL 9003 |
| Adjustment Range | 360° pan, ±180° azimuth, 9° – 95° tilt (30° – 95° with -IR option) | | |

| Mechanical (Pendant Dome) | Pendant Camera Only | With Wall Mount (UX-DP-WALL-MNT) | With NPT Mount (UX-DP-NPTA-MNT) |
|---------------------------|--|--|---|
| Dimensions (LxWxH) | 172 mm x 172 mm x 124 mm; 6.8" x 6.8" x 4.9" | 275 mm x 172 mm x 152.1 mm; 10.8" x 6.8" x 6.0" | 172 mm x 172 mm x 172.3 mm; 6.8" x 6.8" x 6.8" |
| Weight | 1.59 kg (3.51 lbs) | 3.04 kg (6.70 lbs) | 1.84 kg (4.06 lbs) |
| Dome Bubble | Polycarbonate | | |
| Body | Aluminum | | |
| Housing | Pendant mount, vandal resistant | | |
| Finish | Powder coat, RAL 9003 | | |
| Adjustment Range | 360° pan, ±180° azimuth, 9° – 95° tilt (30° – 95° with -IR option) | | |

| Mechanical (Bullet) | |
|---------------------------|--|
| Dimensions (LxWxH) | 280 mm x 126 mm x 91 mm; 11.04" x 4.97" x 3.58" (including mounting bracket) |
| Weight (Camera) | 1.71 kg (3.77 lbs) |
| Weight (Mounting Bracket) | 0.21 kg (0.46 lbs) |
| Body | Aluminum |
| Housing | Surface mount, tamper resistant |
| Finish | Powder coat, RAL 9003 |
| Adjustment Range | ±175° pan, ±90° tilt, ±175° azimuth |

| Mechanical (Box) | |
|--------------------|--|
| Dimensions (LxWxH) | 168 mm x 76 mm x 67 mm; 6.6" x 3.0" x 2.6" |
| Weight | 0.62 kg (1.4 lbs) |
| Body | Aluminum |
| Camera Mount | 1/4"-20 UNC (top and bottom) |
| Finish | Powder coat, black |

Specifications

| Electrical | | | | |
|--------------------------|----------------------|---|----------------------------|------------------------------------|
| Power Consumption (Dome) | Bullet | 13 W max | | |
| | Dome | 13 W max (11 W with no IR or IR disabled) | | |
| | Box | 7 W max | | |
| Power Source | Bullet | VDC: 12 V ± 10%, 13 W min | VAC: 24 V ± 10%, 15 VA min | PoE: IEEE802.3af Class 3 compliant |
| | Dome | VDC: 12 V ± 10%, 12 W min | VAC: 24 V ± 10%, 13 VA min | PoE: IEEE802.3af Class 3 compliant |
| | Box | VDC: 12 V ± 10%, 7 W min | VAC: 24 V ± 10%, 9 VA min | PoE: IEEE802.3af Class 3 compliant |
| RTC Backup Battery | 3V manganese lithium | | | |

| Environmental | | |
|-------------------------|------------------------------------|--|
| Operating Temperature | Bullet | -40 °C to +60 °C (-40 °F to 140 °F), in enclosed space -40 °C to +65 °C (-40 °F to 149 °F), with ambient convection |
| | Dome | -40 °C to +65 °C (-40 °F to 149 °F) |
| | Box | -10 °C to +60 °C (-14 °F to 140 °F) |
| IR Illuminator Behavior | Bullet | IR illuminator will turn off if the temperature is 61 °C (141 °F) or higher. The illuminator will operate at 50% power if the temperature is between 55 °C (131 °F) and 61 °C (141 °F). Hysteresis: 5 °C (9 °F). |
| | Indoor Dome | IR illuminator will turn off if the temperature is 55 °C (131 °F) or higher. The illuminator will operate at 50% power if the temperature is between 44 °C (111 °F) and 55 °C (131 °F). Hysteresis: 2 °C (3.6 °F). |
| | Outdoor Dome | IR illuminator will turn off if the temperature is 57 °C (135 °F) or higher. The illuminator will operate at 50% power if the temperature is between 49 °C (120 °F) and 57 °C (135 °F). Hysteresis: 2 °C (3.6 °F). |
| Storage Temperature | -10 °C to +70 °C (14 °F to 158 °F) | |
| Humidity | 0 - 95% non-condensing | |

| Certifications | | |
|----------------------------|--|---|
| Certifications/ Directives | UL, cUL, CE, ROHS, Reach (SVHC), RCM, EAC, BIS, KC | |
| Safety | UL 62368-1, CSA 62368-1, IEC/EN 62368-1, IEC 62471 (with -IR option) | |
| Environmental | Bullet | UL/CSA/IEC 60950-22, IEC 60529 IP66 and IP67 Weather Rating, IEC 62262 IK10 Impact Rating |
| | Outdoor Dome | UL/CSA/IEC 60950-22, IEC 60529 IP66 and IP67 Weather Rating, IEC 62262 IK10 Impact Rating |
| Electromagnetic Emissions | FCC Part 15 Subpart B Class B, IC ICES-003 Class B, EN 55032 Class B, EN 61000-6-3, EN 61000-3-2, EN 61000-3-3 | |
| Electromagnetic Immunity | EN 55035, EN 61000-6-1 | |

Ordering Information (Outdoor Dome & Bullet)

Surface Mount Outdoor Dome Camera

| Model (UX-DO) | Product Code | MP | WDR | Low light Technology | Lens | IR | SmartCodec |
|----------------|--------------|-----|-----|----------------------|------------|----|------------|
| UX-2MP-DO-S | 750440-DO | 2.0 | ✓ | ✓ | 3.3 - 9 mm | | ✓ |
| UX-2MP-DO-S-IR | 750442-DO | 2.0 | ✓ | ✓ | 3.3 - 9 mm | ✓ | ✓ |
| UX-2MP-DO-T | 750441-DO | 2.0 | ✓ | ✓ | 9 - 22 mm | | ✓ |
| UX-5MP-DO-T | 752441-DO | 5.0 | ✓ | ✓ | 9 - 22 mm | | ✓ |
| UX-8MP-DO-S | 753440-DO | 8.0 | ✓ | ✓ | 4.9 - 8 mm | | ✓ |
| UX-8MP-DO-S-IR | 753442-DO | 8.0 | ✓ | ✓ | 4.9 - 8 mm | ✓ | ✓ |

| Display Part Number | Product Code | Description |
|---------------------|--------------|--|
| UX-DO-COVR-SMK | 150404 | Outdoor dome camera cover with smoked bubble |
| UX-DO-COVR-CLR | 150405 | Outdoor dome camera cover with clear bubble |
| UX-DO-DC-SGROM | 150554 | Camera sealing grommet, pack of 10 |
| UX-DO-DP-PGROM | 150553 | Pipe grommet, pack of 10 |
| AV-CAB | 150150 | 3.5 mm jack with 1.8 m fly wire |

Pendant Mount Outdoor Dome Camera (UX-DP)

| Model (UX-DP) | Product Code | MP | WDR | Low light Technology | Lens | IR | SmartCodec |
|----------------|--------------|-----|-----|----------------------|------------|----|------------|
| UX-2MP-DP-S | 750440-DP | 2.0 | ✓ | ✓ | 3.3 - 9 mm | | ✓ |
| UX-2MP-DP-S-IR | 750442-DP | 2.0 | ✓ | ✓ | 3.3 - 9 mm | ✓ | ✓ |
| UX-2MP-DP-T | 750441-DP | 2.0 | ✓ | ✓ | 9 - 22 mm | | ✓ |
| UX-5MP-DP-T | 752441-DP | 5.0 | ✓ | ✓ | 9 - 22 mm | | ✓ |
| UX-8MP-DP-S | 753440-DP | 8.0 | ✓ | ✓ | 4.9 - 8 mm | | ✓ |
| UX-8MP-DP-S-IR | 753442-DP | 8.0 | ✓ | ✓ | 4.9 - 8 mm | ✓ | ✓ |

| Display Part Number | Product Code | Description |
|---------------------|--------------|---|
| UX-DP-COVR-SMK | 150406 | Pendant dome camera cover with smoked bubble |
| UX-DP-COVR-CLR | 150407 | Pendant dome camera cover with clear bubble |
| UX-DP-WALL-MNT | 150502 | Indoor/outdoor pendant wall arm mount |
| UX-DP-NPTA-MNT | 150503 | Indoor/outdoor pendant NPT mount |
| POLE-MNT | 150506 | Aluminum pole mounting bracket for pendant dome cameras |
| CRNR-MNT | 150507 | Aluminum corner mounting bracket for pendant dome cameras |
| UX-DO-DP-PGROM | 150553 | Pipe grommet, pack of 10 |
| AV-CAB | 150150 | 3.5 mm jack with 1.8 m fly wire |

Outdoor Bullet Camera

| Model (UX-BO-IR) | Product Code | MP | WDR | Low light Technology | Lens | IR | SmartCodec |
|------------------|--------------|-----|-----|----------------------|------------|----|------------|
| UX-2MP-BO-S-IR | 750640 | 2.0 | ✓ | ✓ | 3.3 - 9 mm | ✓ | ✓ |
| UX-2MP-BO-T-IR | 750641 | 2.0 | ✓ | ✓ | 9 - 22 mm | ✓ | ✓ |
| UX-5MP-BO-T-IR | 752641 | 5.0 | ✓ | ✓ | 9 - 22 mm | ✓ | ✓ |
| UX-8MP-BO-S-IR | 753640 | 8.0 | ✓ | ✓ | 4.9 - 8 mm | ✓ | ✓ |

| Display Part Number | Product Code | Description |
|---------------------|--------------|---|
| BO-JCT-BOX | 150300 | Junction box for bullet cameras |
| POLE-MNT | 150506 | Aluminum pole mounting bracket for bullet cameras |
| CRNR-MNT | 150507 | Aluminum corner mounting bracket for bullet cameras |

Ordering Information (Indoor Dome & Box)

Box Camera

| Model (UX-B) | Product Code | MP | WDR | Low light Technology | Lens | IR | SmartCodec |
|--------------|--------------|-----|-----|----------------------|---------------|----|------------|
| UX-2MP-B-LT | 750621 | 2.0 | ✓ | ✓ | 4.7 - 84.6 mm | | ✓ |
| UX-2MP-B-S | 750620 | 2.0 | ✓ | ✓ | 3.3 - 9 mm | | ✓ |
| UX-4MP-B-S | 751620 | 4.0 | ✓ | ✓ | 3.3 - 9 mm | | ✓ |
| UX-4MP-B-T | 751621 | 4.0 | ✓ | ✓ | 9 - 22 mm | | ✓ |
| UX-8MP-B-S | 753620 | 8.0 | ✓ | ✓ | 4.9 - 8 mm | | ✓ |

| Display Part Number | Product Code | Description |
|---------------------|--------------|---------------------------------|
| AV-CAB | 150150 | 3.5 mm jack with 1.8 m fly wire |

Surface Mount Indoor Dome Camera

| Model (UX-BO-IR) | Product Code | MP | WDR | Low light Technology | Lens | IR | SmartCodec |
|------------------|--------------|-----|-----|----------------------|------------|----|------------|
| UX-2MP-D-S | 750420-D | 2.0 | ✓ | ✓ | 3.3 - 9 mm | | ✓ |
| UX-2MP-D-S-IR | 750422-D | 2.0 | ✓ | ✓ | 3.3 - 9 mm | ✓ | ✓ |
| UX-2MP-D-T | 750421-D | 2.0 | ✓ | ✓ | 9 - 22 mm | | ✓ |
| UX-8MP-D-S | 753420-D | 8.0 | ✓ | ✓ | 4.9 - 8 mm | | ✓ |
| UX-8MP-D-S-IR | 753422-D | 8.0 | ✓ | ✓ | 4.9 - 8 mm | ✓ | ✓ |

| Display Part Number | Product Code | Description |
|---------------------|--------------|--|
| UX-D-COVR-SMK | 150408 | Indoor dome camera cover with smoked bubble |
| UX-D-COVR-CLR | 150409 | Indoor dome camera cover with clear bubble |
| UX-D-SDWL-PLUG | 150551 | Indoor dome camera sidewall knockout plug, pack of 5 |
| AV-CAB | 150150 | 3.5 mm jack with 1.8 m fly wire |

In-Ceiling Mount Indoor Dome Camera

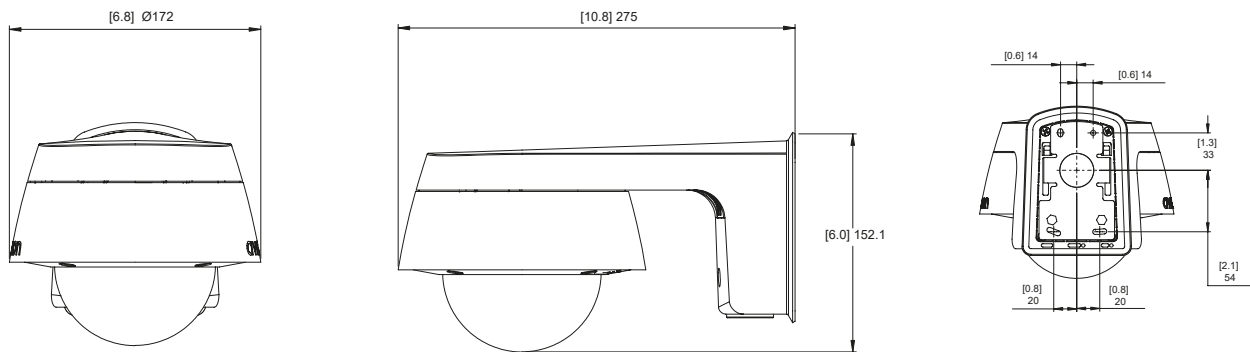
| Model (UX-DC) | Product Code | MP | WDR | Low light Technology | Lens | IR | SmartCodec |
|----------------|--------------|-----|-----|----------------------|------------|----|------------|
| UX-2MP-DC-S | 750420-DC | 2.0 | ✓ | ✓ | 3.3 - 9 mm | | ✓ |
| UX-2MP-DC-S-IR | 750422-DC | 2.0 | ✓ | ✓ | 3.3 - 9 mm | ✓ | ✓ |
| UX-2MP-DC-T | 750421-DC | 2.0 | ✓ | ✓ | 9 - 22 mm | | ✓ |
| UX-8MP-DC-S | 753420-DC | 8.0 | ✓ | ✓ | 4.9 - 8 mm | | ✓ |
| UX-8MP-DC-S-IR | 753422-DC | 8.0 | ✓ | ✓ | 4.9 - 8 mm | ✓ | ✓ |

| Display Part Number | Product Code | Description |
|---------------------|--------------|---|
| UX-DC-COVR-SMK | 150410 | In-ceiling dome camera cover with smoked bubble |
| UX-DC-COVR-CLR | 150411 | In-ceiling dome camera cover with clear bubble |
| UX-BX-DC-CPNL | 150259 | Metal ceiling panel |
| UX-DO-DC-SGROM | 150554 | Camera sealing grommet, pack of 10 |
| AV-CAB | 150150 | 3.5 mm jack with 1.8 m fly wire |

Outline Dimensions

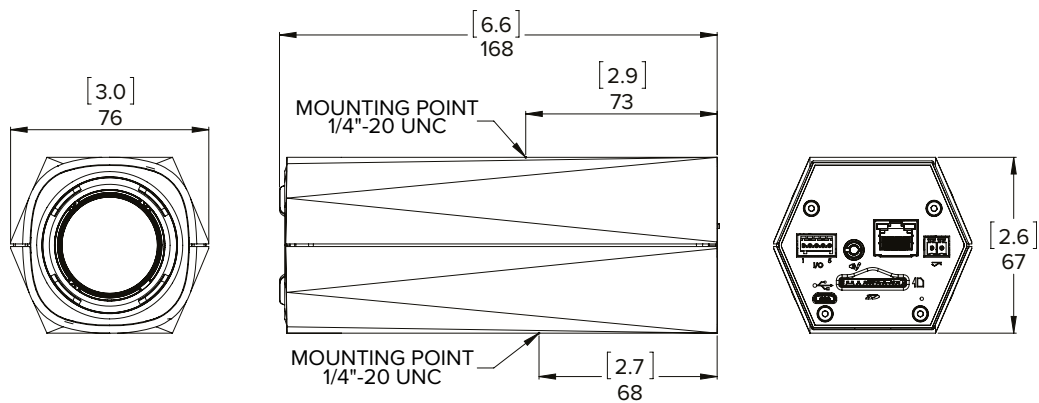
Pendant Dome Camera with Wall Mount

UX-DP + UX-DP-WALL-MNT



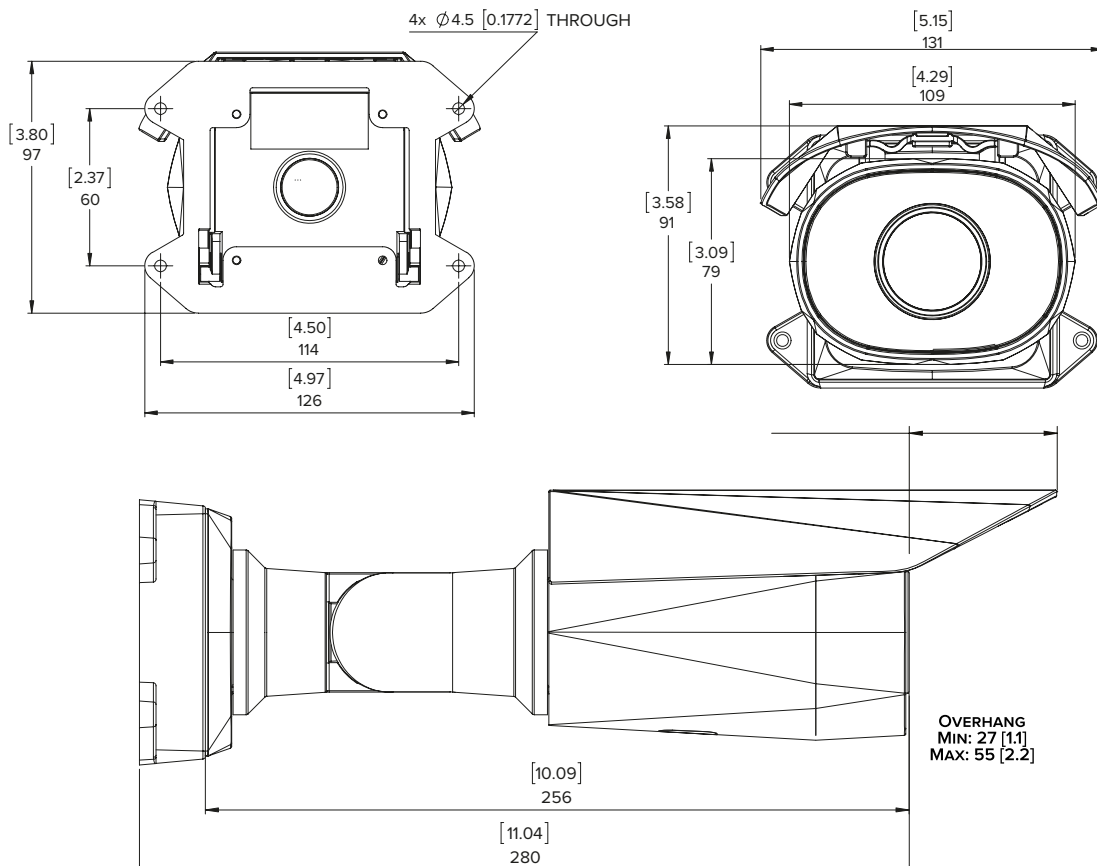
Box Camera

UX-B



Bullet Camera

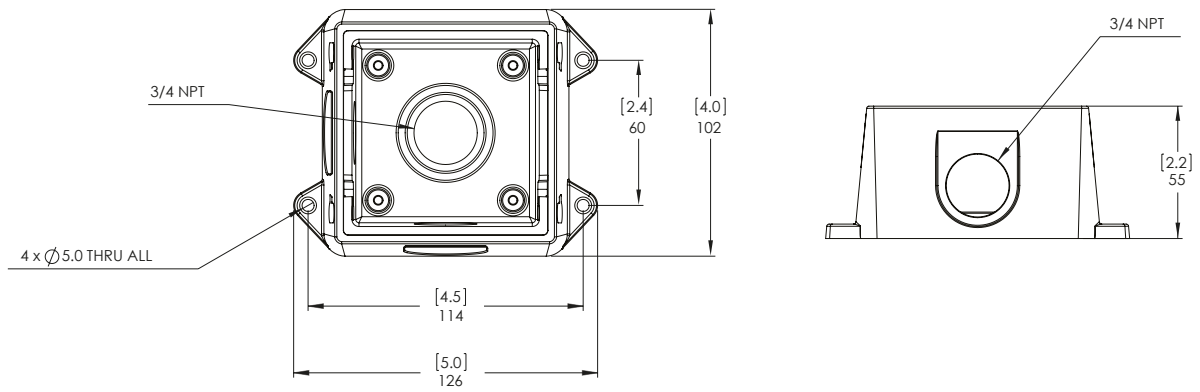
UX-BO-IR



Outline Dimensions

HD Bullet Camera Junction Box

BO-JCT-BOX



ID: UXRNG 21.7 MAY 21