



UX Camera Range

Capture every detail with ultra-high resolution

With best in class performance, the IndigoVision UX Camera range supports multiple resolutions and delivers enhanced video streams in all lighting conditions. You also get maximum reliability with IndigoVision's Distributed Network Architecture, which removes the requirement for a central server, ensuring you never lose access to live video and benefit from minimal latency. IndigoVision's SmartCodec technology gives highly optimised H.265 compression significantly reducing storage costs.

Key Features & Benefits



MOTION DETECTION

Operators get alerted immediately when motion is detected thanks to our built-in analytics.



ONVIF[®] COMPLIANT

Built on an open platform to allow integration with other security solutions, so you can expand your existing security system.



H.265 WITH SMARTCODEC TECHNOLOGY

Reduce costs by maximizing bandwidth utilization and storage consumption without compromising image quality.



EXPANDABLE STORAGE

Use our slot for either SD or MicroSD memory card and get video recordings even during network interruptions.



IP AND IK RATED

Trust the robustness and reliability of your system with IP66/7 weather rating and IK10 impact rating for vandal resistance.



5 YEAR WARRANTY

Gain peace of mind with products backed by a 5-year, industry-leading warranty.



LOW LIGHT TECHNOLOGY

Deliver safety and capture unexceptionably detailed footage even in low-light settings.



TRUE WIDE DYNAMIC RANGE

Capture details in scenes with both very bright and dark areas, so you can detect suspicious activity in all lighting conditions.



RELAY I/O CONNECTIONS FOR FAST RESPONSE

Configure input actions (such as alarms) that trigger an external relay to perform an action (e.g., turn lights on).



AUDIO CAPABILITIES

Available ports for external audio including sirens, microphones and/or loudspeakers for audio talk-down situations.



ADAPTIVE INFRARED (IR) LED ILLUMINATION

Automatically provides clear and evidential video even in pitch dark condition for a distance of up to 90 m (295 ft).



NDAA COMPLIANT

Approach US government with confidence, knowing our cameras comply with the National Defense Authorization Act.

Specifications

Image Performance	2.0 MP	4.0 MP	5.0 MP	8.0 MP (4K ULTRA HD)
Sensor	1/2.8" progressive scan CMOS			1/1.8" progressive scan CMOS
Max Resolution (H x V) and Aspect Ratio	(16:9) 1920 x 1080	(16:9) 2560 x 1440 (4:3) 2304 x 1728	(4:3) 2592 x 1944 (16:9) 2560 x 1440	(16:9) 3840 x 2160
Dynamic Range (WDR Off)	83 dB	83 dB	83 dB	85 dB
Dynamic Range (WDR On)	126 dB (dual exposure, 30 fps) 132 dB (triple exposure, 20 fps or less)	126 dB	126 dB	120 dB
Max Image Rate	(50 Hz/60 Hz): 25 fps/30 fps	WDR off (50 Hz/60 Hz): 25 fps/30 fps WDR on (50 Hz/60 Hz): 20 fps/20 fps		(50 Hz/60 Hz): 25 fps/30 fps
Bandwidth Management	SmartCodec technology			
3D Noise Reduction Filter	Yes			

Lens and IR Illumination		3.3 – 9 mm	4.9 – 8 mm	9 – 22 mm	4.7 – 84.6 mm
IR Illumination Max Distance ¹ (high power 850 nm LEDs)	Dome	35 m (115 ft), full tele 15 m (49 ft), full wide	30 m (98 ft), full tele 15 m (49 ft), full wide	N/A	N/A
	Bullet	50 m (164 ft), full tele 30 m (98 ft), full wide	50 m (164 ft), full tele 30 m (98 ft), full wide	90 m (295 ft), full tele 60 m (197 ft), full wide	N/A
Minimum Illumination	2 MP	0.027 lux in color mode, 0.014 lux in monochrome mode, 0 lux with IR	N/A	0.052 lux in color mode, 0.026 lux in monochrome mode, 0 lux with IR	0.039 lux in color mode, 0.02 lux in monochrome mode
	4 MP	0.03 lux in color mode, 0.015 lux in monochrome mode, 0 lux with IR	N/A	0.058 lux in color mode, 0.029 lux in monochrome mode, 0 lux with IR	N/A
	5 MP	N/A	N/A	0.058 lux in color mode, 0.029 lux in monochrome mode, 0 lux with IR	N/A
	8 MP	N/A	0.055 lux in color mode, 0.028 lux in monochrome mode, 0 lux with IR	N/A	N/A
Horizontal Angle of View - Based on Aspect Ratio	2 MP	(16:9) 34° – 99°	N/A	(16:9) 14° – 31°	(16:9) 4.1° – 60°
	4 MP	(16:9)(4:3) 34° – 92°	N/A	(16:9)(4:3) 14° – 31° (4:3) 11° – 24°	N/A
	5 MP	N/A	N/A	(16:9)(4:3) 14° – 31°	N/A
	8 MP	N/A	(16:9) 52° – 92°	N/A	N/A
Vertical Angle of View - Based on Aspect Ratio	2 MP	(16:9) 18° – 53°	N/A	(16:9) 7.8° – 16.7°	(16:9) 2.3° – 34°
	4 MP	(16:9) 18° – 50° (4:3) 25° – 68°	N/A	(16:9) 8.2° – 17.4°	N/A
	5 MP	N/A	N/A	(16:9) 8.1° – 17.4° (4:3) 11° – 23°	N/A
	8 MP	N/A	(16:9) 29° – 51°	N/A	N/A
Max Aperture	F1.3	F1.8	F1.6	F1.6	
Control	P-Iris, Remote Focus and Zoom				

¹ IR illumination power may be reduced at higher operating temperatures.

Image Control	
Image Compression Method	H.264 SmartCodec, H.265 SmartCodec, Motion JPEG
Streaming	Multi-stream H.264, Multi-stream H.265, Motion JPEG
Analytics	Object Not Present In Area, Object Loitering, Object Crosses Beam, Objects Enter Area, Objects Leave Area, Object Stops In Area, Direction Violated, Camera Tampering, Scene Change (Analytics Service)
Motion Detection	Pixel motion: Selectable sensitivity and threshold. Classified object detection
Tamper Detection	Yes
Electronic Shutter Control	Automatic, Manual (1/7 to 1/8196 sec)
Iris Control	Automatic, Open, Closed
Day/Night Control	Automatic, Manual
Flicker Control	60 Hz, 50 Hz
White Balance	Automatic, Manual
Backlight Compensation	Adjustable
Privacy Zones	Up to 64 zones

Specifications

Auxiliary I/O

Audio Compression Method	G.711 PCM 8 kHz
Audio Input/Output	Line level input and output
External I/O Terminals	Alarm In, Alarm Out
RS-485 Terminal	Yes, Box camera only**

** Currently not supported

Network

Network	100BASE-TX, RJ45 Connector, CAT5e Cabling
ONVIF	ONVIF compliance version 1.02, 2.00, Profile S, Profile G, Profile T (www.onvif.org)
Security	Password protection, HTTPS encryption, digest authentication, WS authentication, user access log, 802.1x port based authentication, CyberVigilant
Protocol	IPv6, IPv4, HTTP, HTTPS, SOAP, DNS, NTP, RTSP, RTP, TCP, UDP, IGMP, ICMP, DHCP, Zeroconf, ARP
Streaming Protocols	RTP/UDP, RTP/UDP multicast, RTP/RTSP/TCP, RTP/RTSP/HTTP/TCP, RTP/RTSP/HTTPS/TCP, HTTP
Device Management Protocols	SNMP v2c, SNMP v3

Peripherals

Onboard Storage (Dome)	microSD/microSDHC/microSDXC slot – class 10/UHS-1 or better recommended
Onboard Storage (Bullet and Box)	SD/SDHC/SDXC slot – class 10/UHS-1 or better recommended

Mechanical (Dome)	Indoor Surface Mount	Indoor In-Ceiling Mount	Outdoor Surface Mount
Dimensions (LxWxH)	163 mm x 163 mm x 118 mm; 6.4" x 6.4" x 4.7"	181 mm x 181 mm x 164 mm; 7.1" x 7.1" x 6.5"	163 mm x 163 mm x 121 mm; 6.4" x 6.4" x 4.8"
Weight	0.99 kg (2.18 lbs)	1.64 kg (3.62 lbs)	1.39 kg (3.06 lbs)
Dome Bubble	Polycarbonate		
Body	Plastic, Aluminum		Aluminum
Housing	Surface mount, tamper resistant	Recessed mount, tamper resistant	Surface mount, vandal resistant
Finish	Plastic, gray	Plastic, gray; Aluminum, powder coat, black	Powder coat, RAL 9003
Adjustment Range	360° pan, ±180° azimuth, 9° – 95° tilt (30° – 95° with -IR option)		

Mechanical (Pendant Dome)	Pendant Camera Only	With Wall Mount (UX-DP-WALL-MNT)	With NPT Mount (UX-DP-NPTA-MNT)
Dimensions (LxWxH)	172 mm x 172 mm x 124 mm; 6.8" x 6.8" x 4.9"	275 mm x 172 mm x 152.1 mm; 10.8" x 6.8" x 6.0"	172 mm x 172 mm x 172.3 mm; 6.8" x 6.8" x 6.8"
Weight	1.59 kg (3.51 lbs)	3.04 kg (6.70 lbs)	1.84 kg (4.06 lbs)
Dome Bubble	Polycarbonate		
Body	Aluminum		
Housing	Pendant mount, vandal resistant		
Finish	Powder coat, RAL 9003		
Adjustment Range	360° pan, ±180° azimuth, 9° – 95° tilt (30° – 95° with -IR option)		

Mechanical (Bullet)	
Dimensions (LxWxH)	280 mm x 126 mm x 91 mm; 11.04" x 4.97" x 3.58" (including mounting bracket)
Weight (Camera)	1.71 kg (3.77 lbs)
Weight (Mounting Bracket)	0.21 kg (0.46 lbs)
Body	Aluminum
Housing	Surface mount, tamper resistant
Finish	Powder coat, RAL 9003
Adjustment Range	±175° pan, ±90° tilt, ±175° azimuth

Specifications

Mechanical (Box)	
Dimensions (LxWxH)	168 mm x 76 mm x 67 mm; 6.6" x 3.0" x 2.6"
Weight	0.62 kg (1.4 lbs)
Body	Aluminum
Camera Mount	1/4"-20 UNC (top and bottom)
Finish	Powder coat, black

Electrical			
Power Consumption (Dome)	Bullet	13 W max	
	Dome	13 W max (11 W with no IR or IR disabled)	
	Box	7 W max	
Power Source	Bullet	VDC: 12 V ± 10%, 13 W min	VAC: 24 V ± 10%, 15 VA min PoE: IEEE802.3af Class 3 compliant
	Dome	VDC: 12 V ± 10%, 12 W min	VAC: 24 V ± 10%, 13 VA min PoE: IEEE802.3af Class 3 compliant
	Box	VDC: 12 V ± 10%, 7 W min	VAC: 24 V ± 10%, 9 VA min PoE: IEEE802.3af Class 3 compliant
RTC Backup Battery	3V manganese lithium		

Environmental		
Operating Temperature	Bullet	-40 °C to +60 °C (-40 °F to 140 °F), in enclosed space -40 °C to +65 °C (-40 °F to 149 °F), with ambient convection
	Dome	-40 °C to +65 °C (-40 °F to 149 °F)
	Box	-10 °C to +60 °C (-14 °F to 140 °F)
IR Illuminator Behavior	Bullet	IR illuminator will turn off if the temperature is 61 °C (141 °F) or higher. The illuminator will operate at 50% power if the temperature is between 55 °C (131 °F) and 61 °C (141 °F). Hysteresis: 5 °C (9 °F).
	Indoor Dome	IR illuminator will turn off if the temperature is 55 °C (131 °F) or higher. The illuminator will operate at 50% power if the temperature is between 44 °C (111 °F) and 55 °C (131 °F). Hysteresis: 2 °C (3.6 °F).
	Outdoor Dome	IR illuminator will turn off if the temperature is 57 °C (135 °F) or higher. The illuminator will operate at 50% power if the temperature is between 49 °C (120 °F) and 57 °C (135 °F). Hysteresis: 2 °C (3.6 °F).
Storage Temperature	-10 °C to +70 °C (14 °F to 158 °F)	
Humidity	0 - 95% non-condensing	

Certifications		
Certifications/ Directives	UL, cUL, CE, ROHS, Reach (SVHC), RCM, EAC, BIS, KC	
Safety	UL 62368-1, CSA 62368-1, IEC/EN 62368-1, IEC 62471 (with -IR option)	
Environmental	Bullet	UL/CSA/IEC 60950-22, IEC 60529 IP66 and IP67 Weather Rating, IEC 62262 IK10 Impact Rating
	Outdoor Dome	UL/CSA/IEC 60950-22, IEC 60529 IP66 and IP67 Weather Rating, IEC 62262 IK10 Impact Rating
Electromagnetic Emissions	FCC Part 15 Subpart B Class B, IC ICES-003 Class B, EN 55032 Class B, EN 61000-6-3, EN 61000-3-2, EN 61000-3-3	
Electromagnetic Immunity	EN 55035, EN 61000-6-1	

Ordering Information (Outdoor Dome & Bullet)

Surface Mount Outdoor Dome Camera

Model (UX-DO)	Product Code	MP	WDR	Low light Technology	Lens	IR	SmartCodec
UX-2MP-DO-S	750440-DO	2.0	✓	✓	3.3 - 9 mm		✓
UX-2MP-DO-S-IR	750442-DO	2.0	✓	✓	3.3 - 9 mm	✓	✓
UX-2MP-DO-T	750441-DO	2.0	✓	✓	9 - 22 mm		✓
UX-5MP-DO-T	752441-DO	5.0	✓	✓	9 - 22 mm		✓
UX-8MP-DO-S	753440-DO	8.0	✓	✓	4.9 - 8 mm		✓
UX-8MP-DO-S-IR	753442-DO	8.0	✓	✓	4.9 - 8 mm	✓	✓

Display Part Number	Product Code	Description
UX-DO-COVR-SMK	150404	Outdoor dome camera cover with smoked bubble
UX-DO-COVR-CLR	150405	Outdoor dome camera cover with clear bubble
UX-DO-DC-SGROM	150554	Camera sealing grommet, pack of 10
UX-DO-DP-PGROM	150553	Pipe grommet, pack of 10
AV-CAB	150150	3.5 mm jack with 1.8 m fly wire

Pendant Mount Outdoor Dome Camera (UX-DP)

Model (UX-DP)	Product Code	MP	WDR	Low light Technology	Lens	IR	SmartCodec
UX-2MP-DP-S	750440-DP	2.0	✓	✓	3.3 - 9 mm		✓
UX-2MP-DP-S-IR	750442-DP	2.0	✓	✓	3.3 - 9 mm	✓	✓
UX-2MP-DP-T	750441-DP	2.0	✓	✓	9 - 22 mm		✓
UX-5MP-DP-T	752441-DP	5.0	✓	✓	9 - 22 mm		✓
UX-8MP-DP-S	753440-DP	8.0	✓	✓	4.9 - 8 mm		✓
UX-8MP-DP-S-IR	753442-DP	8.0	✓	✓	4.9 - 8 mm	✓	✓

Display Part Number	Product Code	Description
UX-DP-COVR-SMK	150406	Pendant dome camera cover with smoked bubble
UX-DP-COVR-CLR	150407	Pendant dome camera cover with clear bubble
UX-DP-WALL-MNT	150502	Indoor/outdoor pendant wall arm mount
UX-DP-NPTA-MNT	150503	Indoor/outdoor pendant NPT mount
POLE-MNT	150506	Aluminum pole mounting bracket for pendant dome cameras
CRNR-MNT	150507	Aluminum corner mounting bracket for pendant dome cameras
UX-DO-DP-PGROM	150553	Pipe grommet, pack of 10
AV-CAB	150150	3.5 mm jack with 1.8 m fly wire

Outdoor Bullet Camera

Model (UX-BO-IR)	Product Code	MP	WDR	Low light Technology	Lens	IR	SmartCodec
UX-2MP-BO-S-IR	750640	2.0	✓	✓	3.3 - 9 mm	✓	✓
UX-2MP-BO-T-IR	750641	2.0	✓	✓	9 - 22 mm	✓	✓
UX-5MP-BO-T-IR	752641	5.0	✓	✓	9 - 22 mm	✓	✓
UX-8MP-BO-S-IR	753640	8.0	✓	✓	4.9 - 8 mm	✓	✓

Display Part Number	Product Code	Description
BO-JCT-BOX	150300	Junction box for bullet cameras
POLE-MNT	150506	Aluminum pole mounting bracket for bullet cameras
CRNR-MNT	150507	Aluminum corner mounting bracket for bullet cameras

Ordering Information (Indoor Dome & Box)

Box Camera

Model (UX-B)	Product Code	MP	WDR	Low light Technology	Lens	IR	SmartCodec
UX-2MP-B-LT	750621	2.0	✓	✓	4.7 - 84.6 mm		✓
UX-2MP-B-S	750620	2.0	✓	✓	3.3 - 9 mm		✓
UX-4MP-B-S	751620	4.0	✓	✓	3.3 - 9 mm		✓
UX-4MP-B-T	751621	4.0	✓	✓	9 - 22 mm		✓
UX-8MP-B-S	753620	8.0	✓	✓	4.9 - 8 mm		✓

Display Part Number	Product Code	Description
AV-CAB	150150	3.5 mm jack with 1.8 m fly wire

Surface Mount Indoor Dome Camera

Model (UX-BO-IR)	Product Code	MP	WDR	Low light Technology	Lens	IR	SmartCodec
UX-2MP-D-S	750420-D	2.0	✓	✓	3.3 - 9 mm		✓
UX-2MP-D-S-IR	750422-D	2.0	✓	✓	3.3 - 9 mm	✓	✓
UX-2MP-D-T	750421-D	2.0	✓	✓	9 - 22 mm		✓
UX-8MP-D-S	753420-D	8.0	✓	✓	4.9 - 8 mm		✓
UX-8MP-D-S-IR	753422-D	8.0	✓	✓	4.9 - 8 mm	✓	✓

Display Part Number	Product Code	Description
UX-D-COVR-SMK	150408	Indoor dome camera cover with smoked bubble
UX-D-COVR-CLR	150409	Indoor dome camera cover with clear bubble
UX-D-SDWL-PLUG	150551	Indoor dome camera sidewall knockout plug, pack of 5
AV-CAB	150150	3.5 mm jack with 1.8 m fly wire

In-Ceiling Mount Indoor Dome Camera

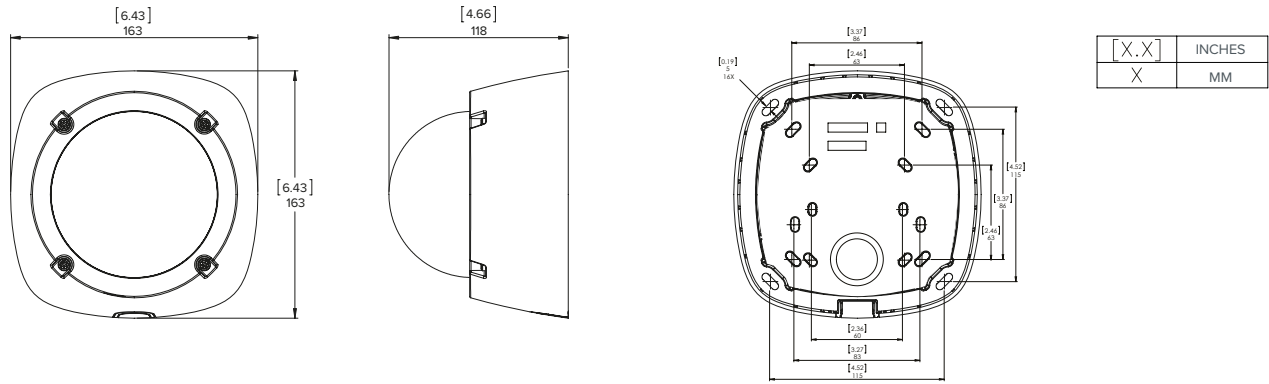
Model (UX-DC)	Product Code	MP	WDR	Low light Technology	Lens	IR	SmartCodec
UX-2MP-DC-S	750420-DC	2.0	✓	✓	3.3 - 9 mm		✓
UX-2MP-DC-S-IR	750422-DC	2.0	✓	✓	3.3 - 9 mm	✓	✓
UX-2MP-DC-T	750421-DC	2.0	✓	✓	9 - 22 mm		✓
UX-8MP-DC-S	753420-DC	8.0	✓	✓	4.9 - 8 mm		✓
UX-8MP-DC-S-IR	753422-DC	8.0	✓	✓	4.9 - 8 mm	✓	✓

Display Part Number	Product Code	Description
UX-DC-COVR-SMK	150410	In-ceiling dome camera cover with smoked bubble
UX-DC-COVR-CLR	150411	In-ceiling dome camera cover with clear bubble
UX-BX-DC-CPNL	150259	Metal ceiling panel
UX-DO-DC-SGROM	150554	Camera sealing grommet, pack of 10
AV-CAB	150150	3.5 mm jack with 1.8 m fly wire

Outline Dimensions

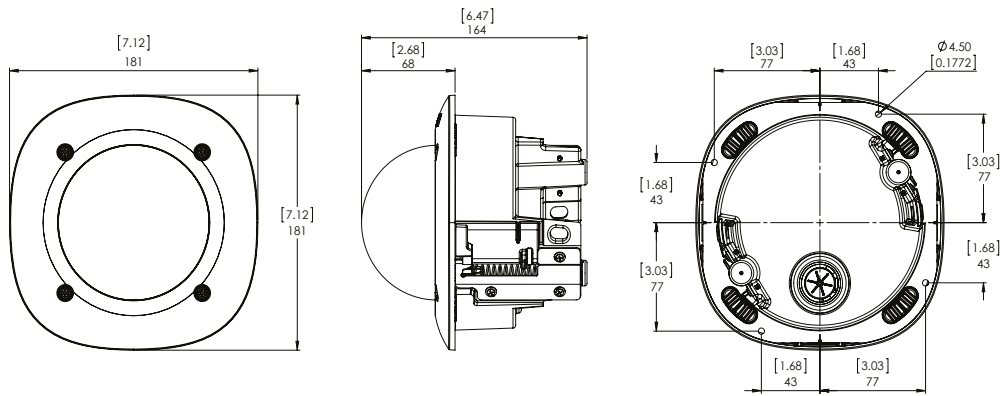
Surface Mount Indoor Dome Camera

UX-D



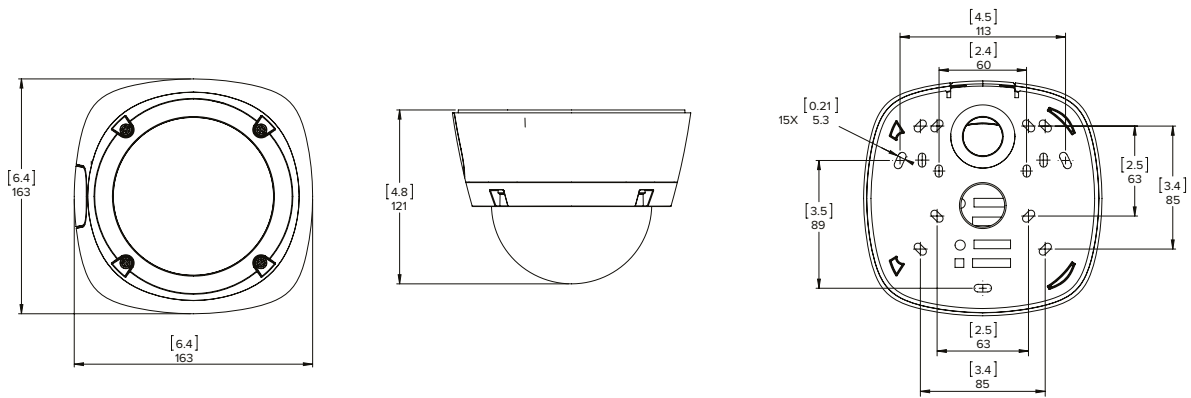
In-Ceiling Dome Camera

UX-DC



Surface Mount Outdoor Dome Camera

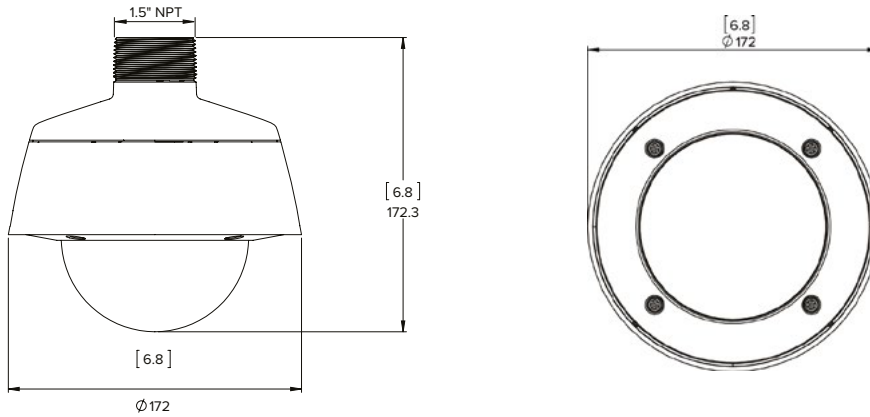
UX-DO



Outline Dimensions

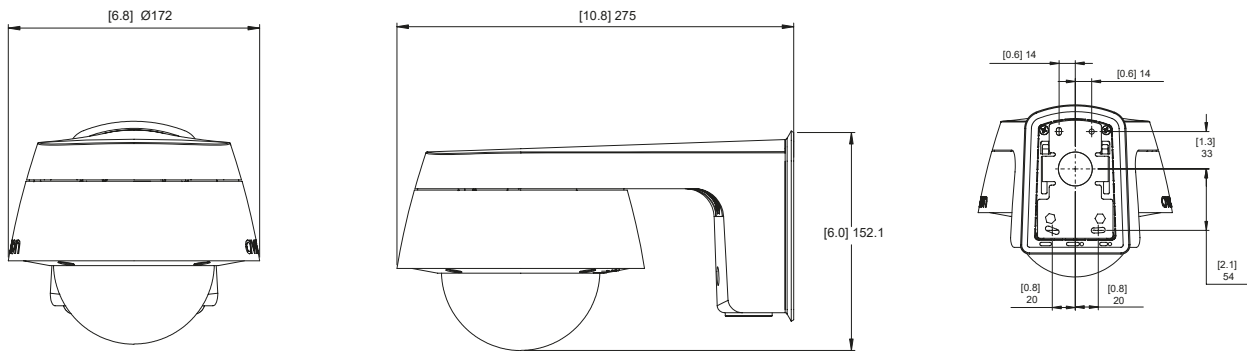
Pendant Dome Camera with NPT Mount

UX-DP + UX-DP-NPTA-MNT



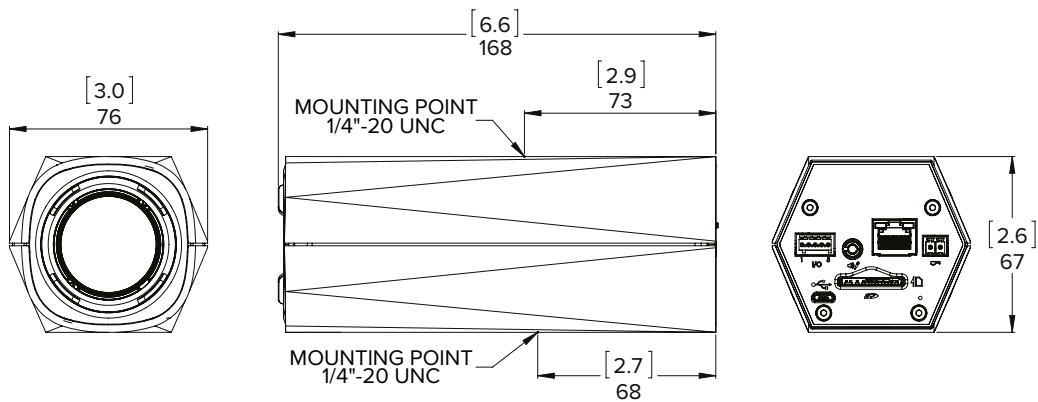
Pendant Dome Camera with Wall Mount

UX-DP + UX-DP-WALL-MNT



Box Camera

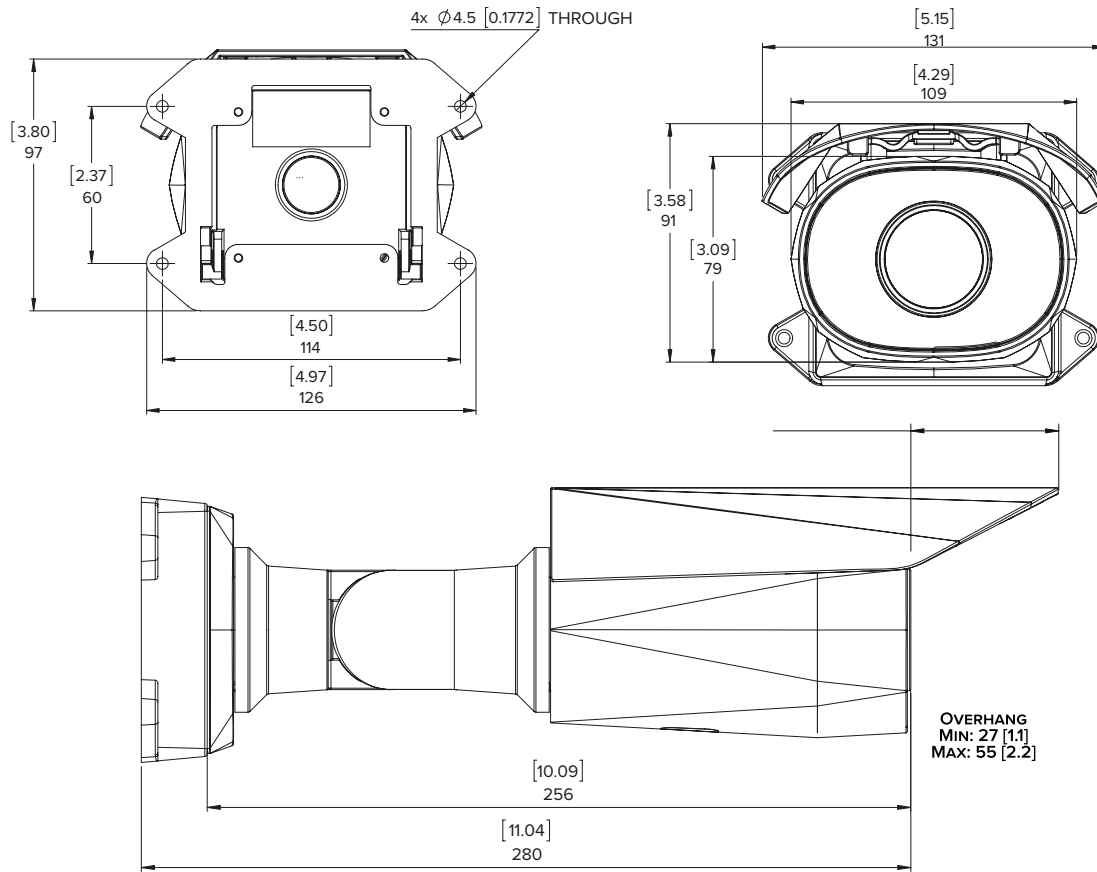
UX-B



Outline Dimensions

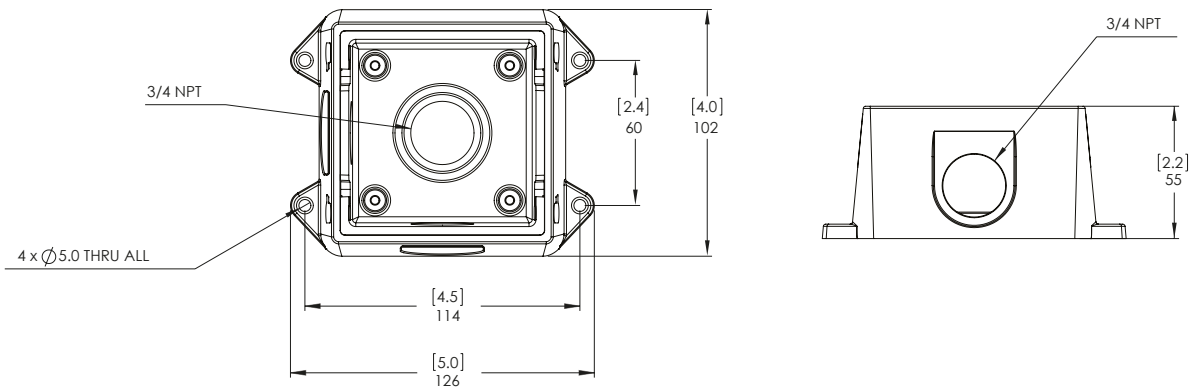
Bullet Camera

UX-BO-IR



HD Bullet Camera Junction Box

BO-JCT-BOX



ID: UXRNG 21.6 APR 21