



IR PTZ Cameras

Capture every detail with ultra-high resolution

With best in class performance, IndigoVision IR PTZ Cameras deliver rich, high resolution video with automatically adaptive IR LED illumination. This provides evidential video in pitch dark conditions for a distance of up to 350 m (1148 ft). Image stabilisation and ultra-low PTZ latency gives smoother operator viewing and control. You also get maximum reliability with IndigoVision's Distributed Network Architecture, which removes the requirement for a central server, ensuring you never lose access to live video and benefit from minimal latency.

Key Features & Benefits



LOW LIGHT TECHNOLOGY

Deliver safety and capture unexceptionably detailed footage even in low-light settings.



WIDE DYNAMIC RANGE

Capture details in scenes with both very bright and dark areas, so you can detect suspicious activity in all lighting conditions.



ONVIF[®] COMPLIANT

Built on an open platform to allow integration with other security solutions, so you can expand your existing security system.



IP AND IK RATED

Trust the robustness and reliability of your system with IP66 weather rating and IK10 impact rating for vandal resistance.



IMAGE STABILIZATION & ULTRA-LOW LATENCY

Detect incidents faster with smooth, superior long-range viewing and control.



5 YEAR WARRANTY

Gain peace of mind with products backed by a 5-year, industry-leading warranty.



ACF (ACTIVITY CONTROLLED FRAMERATE)

ACF reduces the frames per second (fps) based on activity cutting bandwidth consumption and maximizing storage space, reducing costs by up to 95%.



CYBERVIGILANT TECHNOLOGY

Enhance your existing camera firewall by getting alerted of unauthorized access, as it is attempted.



SERVO FEEDBACK

When encountering external force, such as vandalism, the camera will return immediately to its original position.



ADAPTIVE INFRARED (IR) LED ILLUMINATION

Automatically provides clear and evidential video even in pitch dark condition for a distance of up to 350 m (1148 ft).



360° COVERAGE

Monitor virtually any area within a 360° view, including straight down and above the horizon.



NDAA COMPLIANT

Approach US government with confidence, knowing our cameras comply with the National Defense Authorization Act.

Specifications

Camera Features	2MP IR PTZ 30x Camera	2MP IR PTZ 40x Camera	5MP IR PTZ 33x Camera
Sensor	Sony 2M 1/2.8" Progressive CMOS		Sony 5M 1/2.8" Progressive CMOS
Active Pixels (HxV)	HD (1920 x 1080)		5M (2592x1944)
Minimum Sensitivity	Day: 0.02 Lux (colour). Night: 0.001 Lux (mono). F1.6, 1/30s shutter		Day: 0.1 Lux (colour). Night: 0.01 Lux (mono). F1.6, 1/30s shutter
Dynamic Range	WDR 120dB		
Gain Control	Auto / Manual setting		
Wide Dynamic Range	Off / Low / Mid / High		
Back Light Compensation	On / Off @ 50/60 Frame Rates only		
White Balance Mode	Auto / ATW / Smart / One Push / Smart Touch / Manual		
Day/Night	True Day / Night with Mechanical IR Cut Filter		
IR Distance	350m		
Video Resolution	1920x1080 (HD); 1280x1024 (1.3MP); 1280x720 (720p); 800x600 (SVGA); 720x480 and 720x576 (D1); 640x480 (VGA); 352x240 and 352x288 (SIF); 320x240 (QVGA)		2592x1944 (5MP); 2560x1440 (4MP); 1920x1080 (HD); 1280x1024 (1.3MP); 1280x720 (720p); 1024x768 (XGA); 800x600 (SVGA); 720x480 and 720x576 (D1); 640x480 (VGA); 352x240 and 352x288 (SIF); 320x240 (QVGA)
Signal/Noise Level	>45dB		
Lens Options	4.3mm - 129mm. Horizontal view angle 59.0° (W) 2.4° (T), Vertical view angle 35.2° (W), 1.4° (T)	4.3mm - 170mm. Horizontal view angle 66.1° (W) 1.8° (T), Vertical view angle 35.2° (W), 1.4° (T)	4.6mm - 152mm. Horizontal view angle 60.0° (W), 1.9° (T), Vertical view angle 46.4° (W), 1.5° (T)
Zoom	30x optical + 10x digital	40x optical + 10x digital	33x optical + 10x digital
Iris Control	Auto with manual override		
Shutter	Rolling; Auto from 1/1.5 - 1/10000 sec, Anti-Flicker, Slow Shutter (1, 1/2, 1/4, 1/8, 1/15, 1/30)		
Exposure Control	Auto Iris / P-Iris / Iris / Auto Shutter / Shutter / Manual		
Image Stabilizer	Yes		
Video Compression	Full frame rate, full colour: H.265/H.264/MJPEG ; up to 60fps		
Video Bit Rate	User-configurable bit rates from 64Kbps up to 10Mbps		
Video Multi-Streaming	Up to 32Mbps total video output; Unlimited multicast connections. Up to four 8Mbps unicast connections; Up to sixteen 1Mbps unicast connections		
Video Multi-Encoder	Up to four simultaneous resolutions including: 1080p (60fps), 1080p (30fps), 720p (30fps), D1 (30fps), SIF (30fps)		Up to four simultaneous resolutions including: 5MP (30fps), 4MP (30fps), 1080p (60fps), 1080p (30fps), 720p (30fps), D1 (30fps), SIF (30fps)
Video Analytics	ACF, Motion Detection, Abandoned Object, Intrusion Detection, Video Tamper, Missing Object, Tripwire		
Audio Compression	G.711Mu/AAC		
Audio Analytics	Audio detection		
Audio Input	Line in		
Audio Output	Line out		
Binary Input/Output	2 input; 1 output		
Network Interface	IEEE802.3 and IETF standards: 10/100 Base-T Ethernet, TCP, UDP, RTP, RTSP, ICMP, IGMP, SNMP, HTTP, HTTPS, QoS, DHCP, DNS		
Network Security	HTTPS, CyberVigilant®, IEEE 802.1x		
CyberVigilant® Technology	Yes		
Time	Embedded real-time clock, SNTP client		
SD Storage	SD/SDHC/SDXC 128GB support (card not included)*		
Dimension/Weight	207mm (dia) x 300mm (h) and 3.8kg with sunshield		
Regulatory	EN55032, EN50130-4, EN61000-3-2, EN61000-3-3, EN61000-6-4, CFR47 part 15 Subpart B, UL, EN60068-2-6, EN60068-2-64, EN60068-2-27, EN60068-2-1, EN60068-2-2, EN60068-2-30, EN60529, EN62262		
Housing	Aluminium alloy with polycarbonate dome		
Protection Rating	IP 66, IK10 (excluding front lens cover)		
Electrical	UPOE (Compatible with part number 130179). 30V DC, Max 42W. 24V AC, Max 60W.		
Operating Temperature	-40°C to 50°C		
Cold Start	-40°C		
IndigoVision Software Requirements	Control Center v16.0.1 or later		
Supported Internet Browser	Internet Explorer v11.0 or later		
ONVIF	Profile S, G & T		
NDAA	This product is compliant with the National Defense Authorization Act (NDAA). Section 889 of the NDAA prohibits the U.S. government from procuring video and telecommunications equipment from certain Chinese companies and their subsidiaries.		

* SDCard Storage independent of IndigoVision's NVRs.

Specifications

PTZ Control			
Preset	256	Pan Range	360° Continuous Rotation
Preset Accuracy	0.225°	Tilt Range	110° (-20° above horizon)
Preset Tours	8	Pan/Tilt Speed	Pan Speed - 0.1-90°/s. Tilt Speed - 0.1-55°/s
Pattern Mimic Tours	8	Pan/Tilt Warranty	Moving part warranty limited to 5 million Pan and Tilt Operations
Privacy Zones	20 User Defined	Preset Move Speed	300°/s

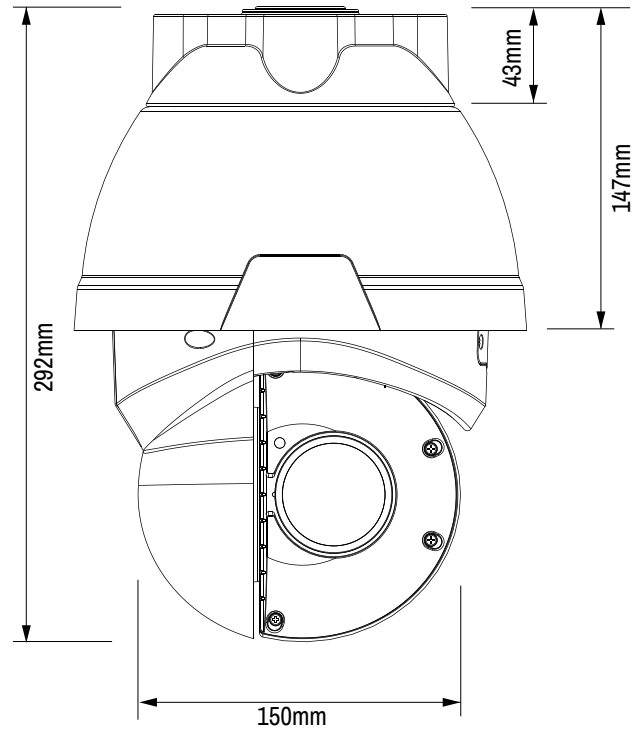
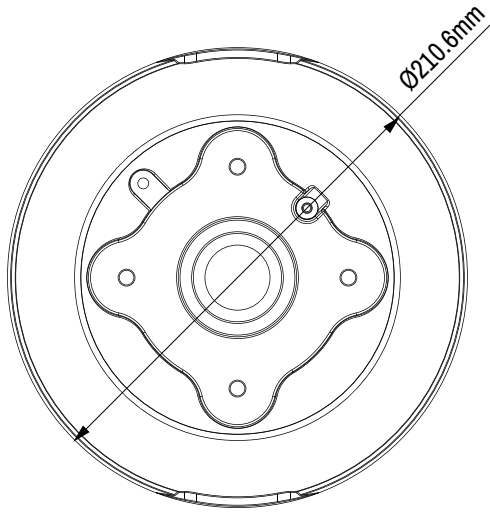
Cable Features	
Length	1.5m cable supplied. 3m (110173) and 9m (110174) available as accessories
Cable	UL2464
Waterproof Rate	IP67
Temperature Range	-40~70°C (Except Cap)
Materials	All plastic and rubber materials should be UV resistant

Ordering Information

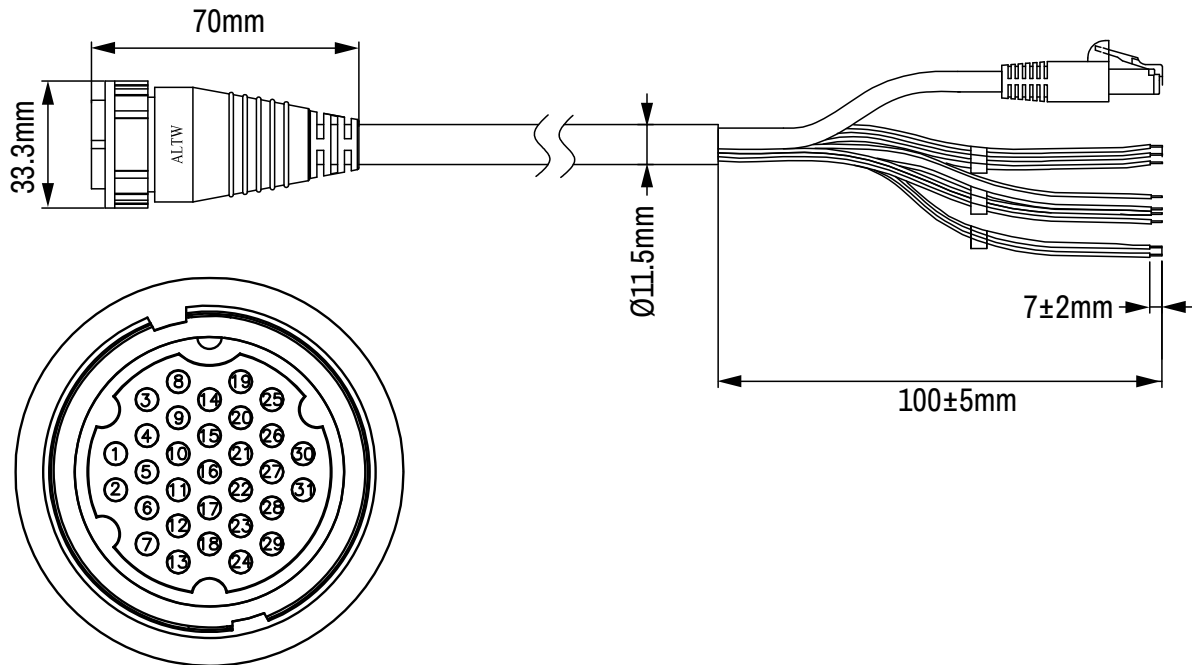
Product Codes	Description
710571	2MP IR PTZ 30x Camera
710570	2MP IR PTZ 40x Camera
712570	5MP IR PTZ 33x Camera

Outline Dimensions

IR PTZ Camera



Amphenol Cable



ID: PTZIR 21.2 MAR 21