

## Electrical

12vdc to 24vdc  
 Voltage Tolerance 12v (+15% - 0%) 24v (+/- 15%)  
 Minimum 1 Amp Regulated Supply  
 Monitoring: COM, NO, NC Voltage free changeover contacts rated at 48 Vdc/100mA

## Mechanical

**Holding Force:** Passed S3 (AS4145.2- 1993)  
 Maximum 1000kg (with supported strike plate)

**Bolt Dimensions:** 11mm Diameter, 20.5 mm Projection

**Side Load:** (refer to additional comments under "Operation" below)  
 Motorised Unlocking - 15kg max at bolt  
 Fail Safe Unlocking - 3kg max at bolt

**Misalignment:**  
 +/- 3.5mm (7mm overall)

**Duty Cycle:**  
 >300,000 operations

## Mounting Orientation:

Suitable for Vertical or Horizontal Mounting. For external doors, ES8000 must be mounted horizontal. For best results ensure ES8000 is mounted vertically as close as possible to the mid point of the door to minimise any misalignment and or leverage of the door.

## Warranty

Covered by Trimec's 5 year **TRIGARE™** warranty.

## Environmental

Check our website for the latest specifications and certifications.

## Operation

The ES8000 is a micro-processor controlled motorised lock with built-in over current sensing and automatic re-locking ability. The lock is designed to be controlled with a battery backed 12-24v dc power supply and connected with a minimum of 3 wires, plus 2 additional wires for bolt monitoring. (refer to the wiring details below). When connected with 3 wires the motor will provide power assisted unlocking allowing the bolt to retract with up to 15kg of side load. In Power To Lock (Fail Safe) configuration it is possible to operate the ES8000 using 2 control wires only. With 2 wire control the lock relies on the Fail Safe spring mechanism to unlock, this reduces the opening under side load capability to 3kg. For this reason we do NOT RECOMMEND 2 wire control and it should be avoided if possible.

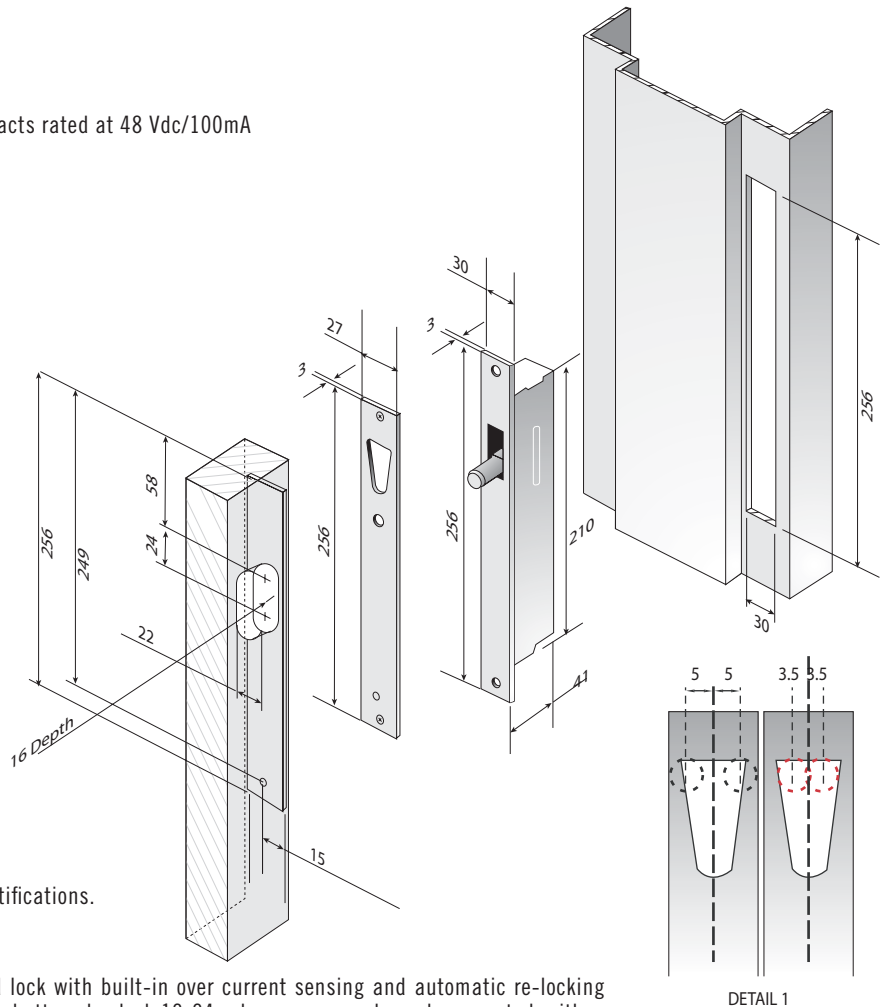
Refer to Detail 1 - The effective locking window of the ES8000 is +/- 3.5 mm however the lock will attempt to lock 5 times within 5mm either side of the strike plate center line to compensate for random wind gusts or momentary misalignment. The ES8000 is not designed to compensate for a badly maintained or incorrectly adjusted door and/or door closer.



The ES8000 is ideal for use on glass door applications. The photograph pictured here shows the optional Glass Door Accessory Housing. Please visit our website for more information on various glass door locking solutions. 2 x Housings may be required for some glass frame and door applications.

Distributed by:

Trimec Technology Pty Ltd reserves the right to update technical data without notice. ACN 050 103 896 © 2005



*\*Wiring below shows lock in locked position*

