

A4 and A8 Single Series Monitored



Single Series Monitored

Electromagnetic Locks, operate with holding forces from 250kg up to 580kg. These can also be used for doors that need to be monitored in terms of door position and if the door is locked.

Covering a range of applications the A4 and A8 Electromagnets are ideal for applications from cupboard doors through to high use commercial swing doors.

With fixing options including wood, aluminium and steel constructions, as well as glass door applications, the range caters to most electromagnetic needs.

Key Features

- Fail-Safe: unlocks when power is removed
- Easy installation: suitable for both new and retrofit usage
- High holding force: refer to the technical data overleaf
- Self-alignment: armature plate pivots to accommodate door drop
- Silent operation: no humming or buzzing
- Dual voltage: site selectable 12 or 24 Vdc

- Monitoring: reed switch monitoring on all models, hall-effect monitoring on A4 and A8 models
- Instantaneous release: smart electronics on the A Series Electromagnets eliminate residual magnetism
- 5 Year ASSA ABLOY Warranty

Monitoring

Hall / Bond Monitoring

This indicates that the lock is powered and that the armature plate is in position and magnetically bonded (it monitors if the magnet is locked)

Reed Switch Monitoring

An integrated reed switch monitors the door position separately (it monitors the position of the door)

Applications

- Aluminium doors
- Glass doors
- IT storage rooms
- Access control
- Surface mount for inswing and outswing doors

Product Details

	A4 Magnet	A8 Magnet
Holding Force	250-280 Kg	550kg-580kg
Dimensions	(L)240 x (H)48.5 x (D)25mm	(L)265 x (H)71.8 x (D) 39 mm
Voltage	12Vdc/24Vdc +/- 10%	12Vdc/24Vdc +/- 10%
Current	500mA @ (12Vdc) 250mA @ (24Vdc)	420mA @ (12Vdc) 210mA @ (24Vdc)
Monitoring	Hall-Effect & Reed Switch	Hall-Effect & Reed Switch
Operating Temperature	-10 to 55 Degrees	-10 to 55 Degrees
Operating Humidity	0-90%	0-90%

Standards and Compliance



CE Approved

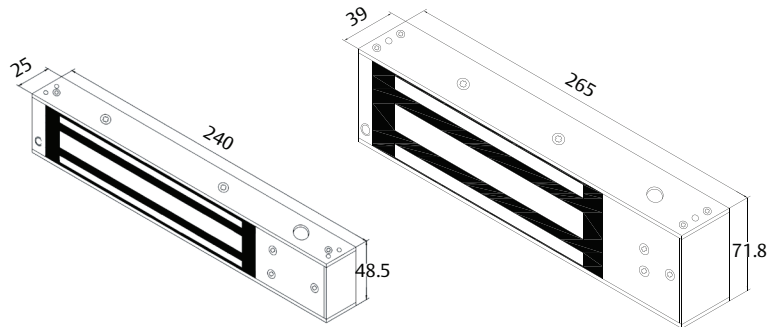


RCM Certified

A4 and A8 Single Series Monitored



A4 Electromagnetic Lock - Monitored

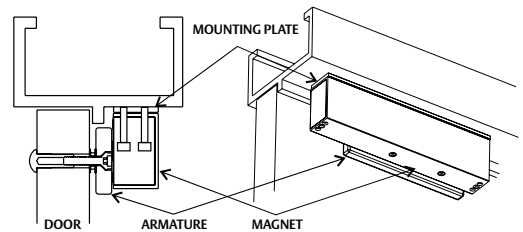


A4 Electromagnetic Lock

A8 Electromagnetic Lock



A8 Electromagnetic Lock - Monitored



Typical Install for A4 & A8 out swinging doors.

Ordering Information

Part Number	Product Description
AAEMAGA4SSHRAL	EMA4 E/Magnet 12/24Vdc Single Monitored
AAEMAGA8SSHRAL	EMA8 E/Magnet 12/24Vdc Single Monitored

Specification Statement

The Single Series Electromagnetic Lock should be constructed in an aluminium case with heavy duty electromagnet. The range only operates in Fail Safe mode and relies on a secondary lock or battery backup system. In some cases the magnet armature plate pivots to accommodate door drop. The lock needs to be equipped with "smart electronics" that have zero residual magnetism (instantaneous release). This is crucial for correct operation.