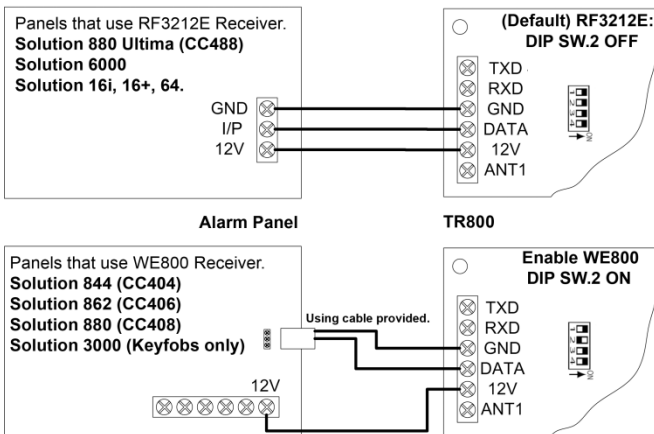


1.0 Receiver Installation

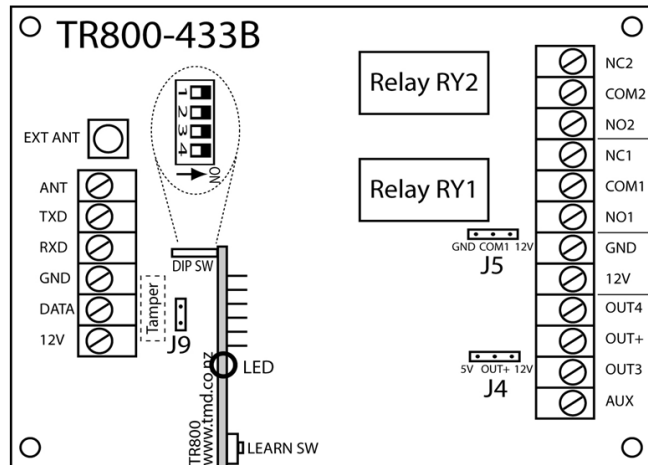


1. Allow minimum 1m between alarm panel and TR800-433B2.
2. Install the supplied antennas to terminals ANT1 and ANT2

2.0 Connection to Bosch panels



1. Connect the receiver as per the panel type in Figure 1.
2. Position the receiver at least 1m from panel.
3. Set DIP Switch 2 for the panel type.
4. Enable the receiver in alarm programming (except CC488).



Learning fobs to on-board relays.

Learning keyfobs to on-board relays is not required for alarm operation and has no effect on it.

1. Press the LEARN SW (see Figure 2) until the LED goes off (approx 1 sec) and Release. LED should be off.
2. Select the relay to be programmed by pressing the LEARN SW once for each output. E.g: Press twice for Relay 2. Led flashes each time the button is pressed.
3. Having selected the relay, press the desired button on the Keyfob to be learned to the relay.
4. Repeat for each button required.
5. Relay's pulse by default. Set DIP Switch 3 ON for latching control.

NOTE: -

- A maximum of 12 Keyfob's per receiver.
- The TR800 will exit learn mode after 25 secs or Keyfob is successfully learned



4.0 Deleting Keyfobs

To Delete all Keyfobs push and hold the LEARN SW for 20 secs. You will see the following: -

1. After 5 secs, LED does a double flash
2. After 15 secs, LED does a quick angry flash to warn that deleting data is imminent
3. After 20secs, LED is on solid and all keyfobs have been deleted
4. Release LEARN SW

5.0 Wireless Devices

All wireless devices must be learned into the Bosch Alarm as per the relevant installation manual. Only panels that support wireless zones can have wireless zones added, such as Solution Ultima.

6.0 Install Mode

To enter Install Mode press LEARN SW and hold for 5 secs until LED double flashes. Install reduces the sensitivity of the TR800 for testing wireless devices, ensuring better performance after install. Exit Install Mode, press the LEARN SW button

Connect Security Products
62 Aitken Terrace
Kingsland
Auckland 1021
New Zealand
Ph +64 9 526 1060 Fax +64 9 526 1069
www.csproducts.co.nz

Warranty and Disclaimer: All information provided in this document is carefully prepared and offered in good faith as a guide for the installation, use and servicing of this product. We accept no responsibility for the incorrect operation, installation or use of this product and reserve the right to change specifications at any time and without notice. Liability of CSP, or any party involved in the design and/or manufacture of this product is limited to the repair or replacement of faulty product returned to us within 12 months from purchase and specifically excludes consequential loss or damage. **Full terms and conditions are available on request.**