

# 2012/24AUS Photoelectric Smoke-Alarm With Integral Temp-3 Sounder



## Model

2012/24AUS Photoelectric Smoke-Alarm

## Required Accessory

12/24 VDC power supply



## Product Overview

- 9V battery backup
- HUSH feature
- Test push button
- One Form 'C' Relay
  - Activates on either local alarm or SIGRLY interconnected signal received
  - 8 seconds activating delay on alarm
  - 5 Seconds resetting delay after alarm stops
- Check for low chamber fault performed when in Standby
- Audible indication synchronized with LED blinking during silencing period
- Audible indication asynchronous with LED blinking when in low battery fault
- Visual and audible indication when chamber test fails
- Direct Wire
- 3 year warranty

**Compact, attractive, and easy to install, the System Sensor 2012/24AUS smoke-alarm is designed to respond to a broad range of fires while providing maximum stability. This model also features low-voltage wiring making it ideal for applications such as apartment buildings and nursing homes.**

### Description.

The 2012/24AUS is an AS 3786 listed photoelectric smoke-alarm. Integrating a powerful microcontroller inside, the smoke-alarm provides many useful features to meet multiple requirements of different customers. It has a built-in silence/test push button, 9V battery backup, visible led indicating standby and alarm modes, a delay on the Form 'C' relay, and a check for chamber integrity performed in standby. May be powered from a full wave rectified DC power supply, or from a 12/24VDC control panel or equivalent. The smoke-alarm can be interconnected up to 24 units, and they can also be interconnected with 2012H when they all work at 12V supply voltage up to 12 units. Chamber can easily be accessed for cleaning by simple quarter turn of chamber cover. Supplied complete with mounting ring and 9V battery.



## General Specifications

**Size**  
55mm (H) × 135mm (diameter)

**Weight**  
220 grams

**Humidity Range**  
5%~93% RH, noncondensing

## Electrical Ratings

**Operating Voltage**  
10VDC~30VDC

**Relay Contact Rating**  
1 Form C, 1A @ 30 V(DC or AC)

## Residential Smoke-Alarm Placement

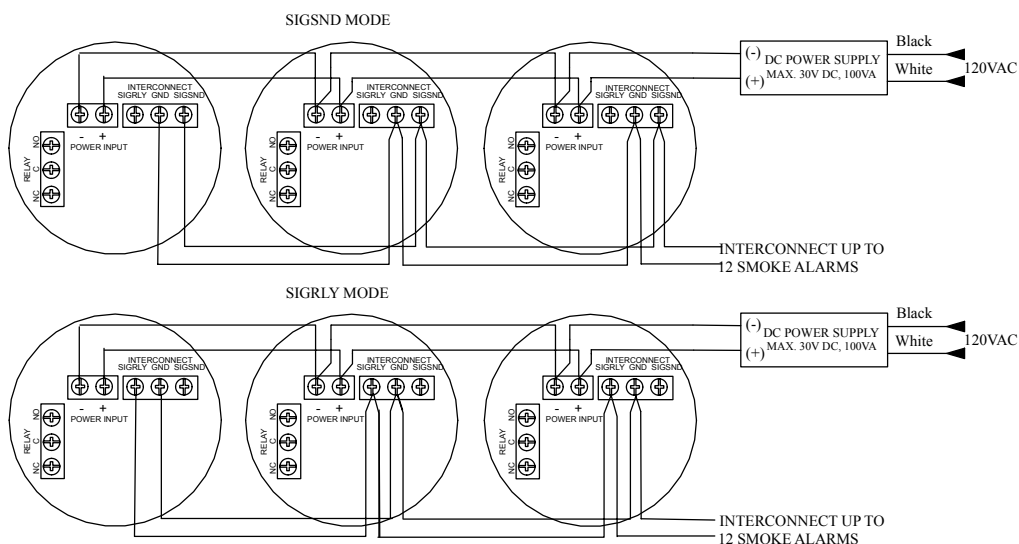
Smoke-alarms shall be installed outside of each separate sleeping area in the immediate vicinity of the bedrooms and on each additional story of the family living unit, including basements and excluding roof spaces and unfinished attics. In new construction, a smoke-alarm shall also be installed in each sleeping room.

**Max.interconnected Units**  
24 units

**Temperature Range**  
0°C~50°C

**P-Horn Sound Output Level**  
85dBA @ 3m

## 2012/24AUS Wiring Diagram



Maximum power bus length in meters given number of units (maximum per bus) and wire size (mm).

Supply Voltage = 12VDC

WIRE SIZE	1UNIT	2 UNITS	3 UNITS	4 UNITS	5 UNITS	6 UNITS	7 UNITS	8 UNITS	9 UNITS	10 UNITS	11 UNITS	12 UNITS
1.5	3302	1652	1101	826	660	551	471	413	366	331	301	275
1.0	1633	817	544	408	327	273	233	205	182	163	149	135
0.75	819	411	273	205	163	138	117	103	91	82	75	68

WIRE SIZE	13UNITS	14 UNITS	15 UNITS	16 UNITS	17 UNITS	18 UNITS	19 UNITS	20 UNITS	21 UNITS	22 UNITS	23 UNITS	24 UNITS
1.5	254	236	220	206	194	183	174	165	157	150	144	138
1.0	126	117	109	102	96	91	86	82	78	74	71	68
0.75	63	59	55	51	48	46	43	41	39	37	36	34

For 24VDC supply voltage, the maximum power bus length is 4 times as long as 12VDC supply voltage.

Maximum interconnect bus length: 2000 meters, 0.75mm or larger cable.

All wiring must conform to local electrical codes.

## Ordering Information

**Part Number**

2012/24AUS

**Description**

Photoelectric smoke-alarm with integral temp-3 sounder. 12/24VDC, interconnectable.

## System Sensor Sales and Service

### System Sensor Headquarters

3825 Ohio Avenue  
St.Charles, IL 60174  
Ph:630.377.6580  
Fx:630.377.6495  
www.systemsensor.com

### System Sensor - Canada

Ph: 1.905.812.0767  
Fx: 1.905.812.0771

### System Sensor - UK

Ph: 44.1527.406700  
Fx: 44.1527.406699

### Syatem Sensor - China

Ph: 86.29.8832.0119  
Fx: 86.29.8833.2959

### System Sensor - Singapore

Ph: 65.273.2230  
Fx: 65.273.2610

### System Sensor - Far East

Ph: 852.2191.9003  
Fx: 852.2736.6580

### System Sensor - Australia

Ph: 61.3.5428.1142  
Fx: 61.3.5428.1172

### System Sensor - Italy

Ph: 39.040.949.0111  
Fx: 39.040.382.137

### System Sensor - Mexico

Ph: 54.11.4324-1909  
Fx: 54.11.4324-5999

### System Sensor - India

Ph: 91.124.2371770  
Fx: 91.124.2373118

### System Sensor - Russia

Ph: 7.495.9377982  
Fx: 7.495.9377983