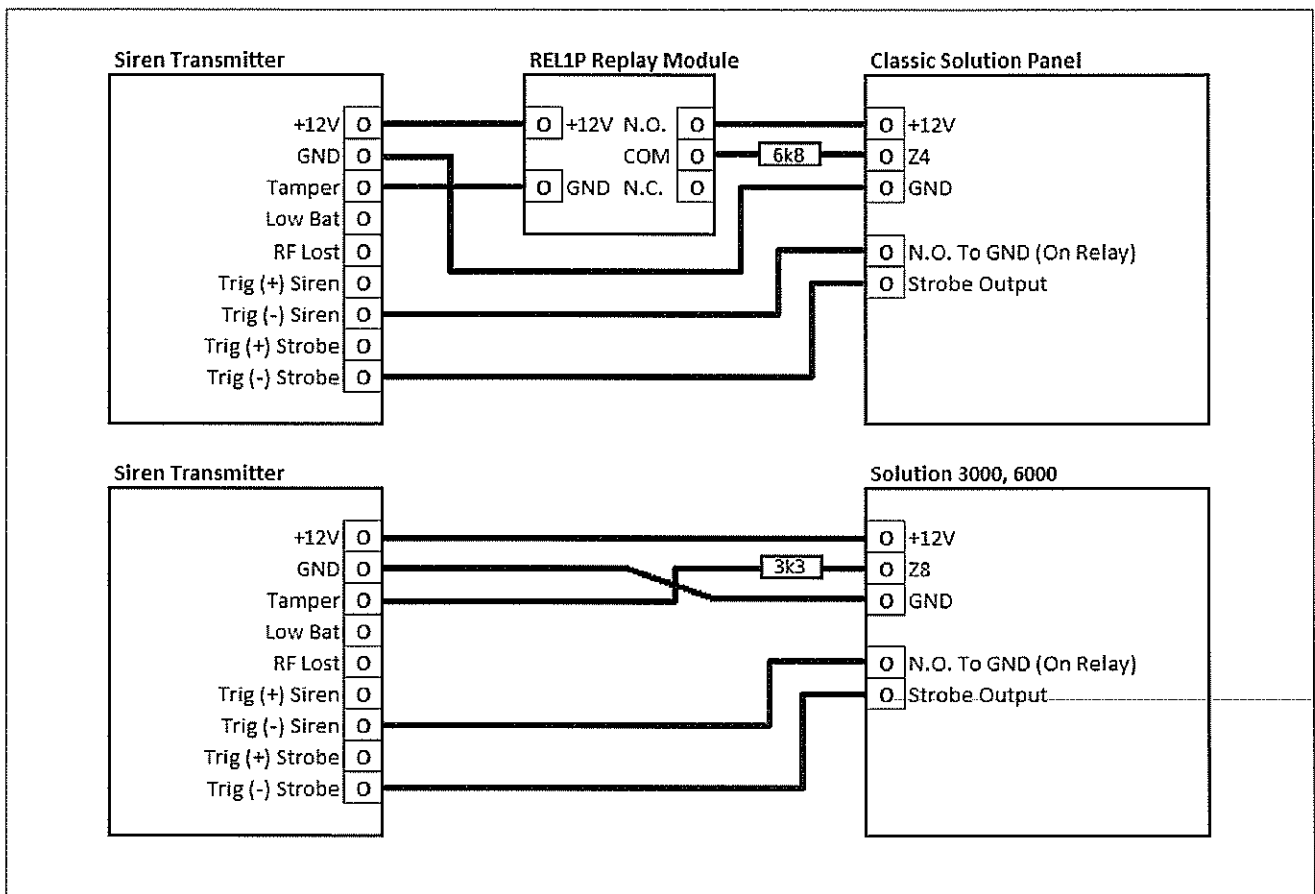


Addendum: Tamper circuit wiring.

The tamper terminal on the siren module is a short to ground when tamper is sealed. Panels with common positive zone commons require a relay (Bosch Classic Solution Panels), while those with common ground do not (Solution 3000 & 6000 Panels).

The following diagram shows panels with positive common zones at the top and common ground zones on the bottom.



Tamper options.

The siren transmits Tamper, Battery and RF lost via dedicated outputs on the transmitter module. To trip zone 8 for tamper ONLY, the DIP switches shall be ALL OFF. To trip zone 8 for tamper, low bat and RF troubles, the DIP switches shall be ALL ON. Consult the manufacturers manual included for more details.